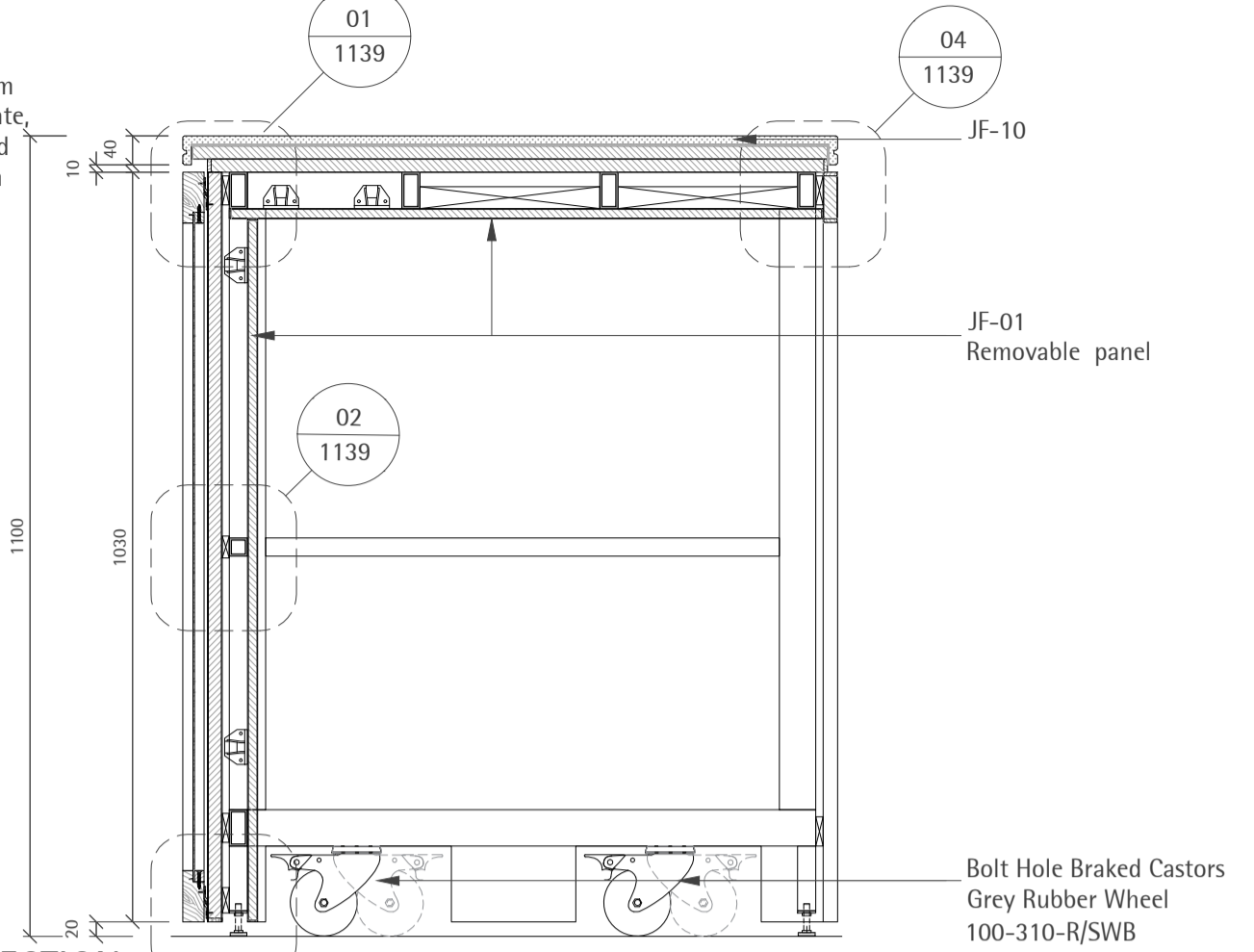
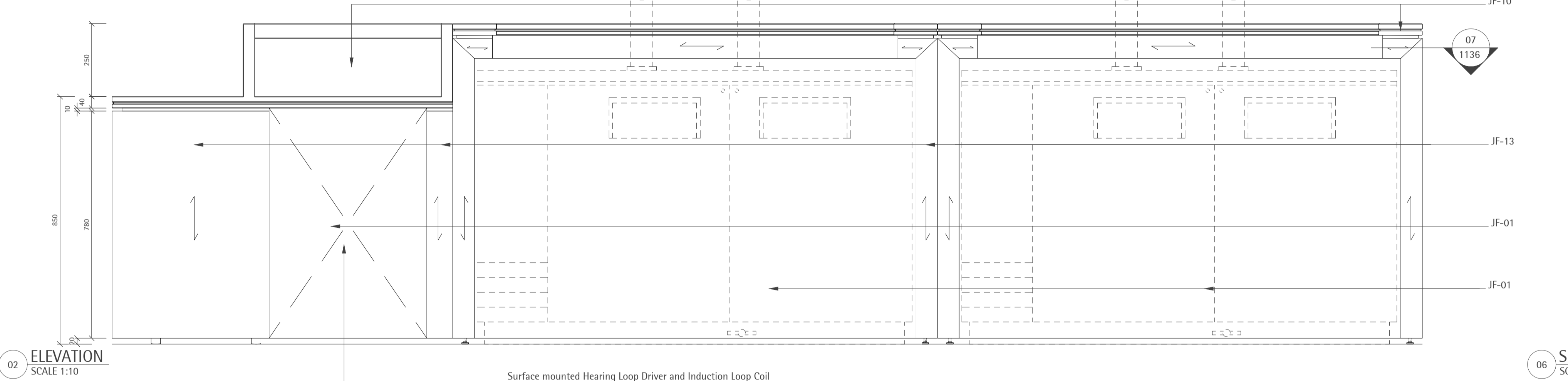


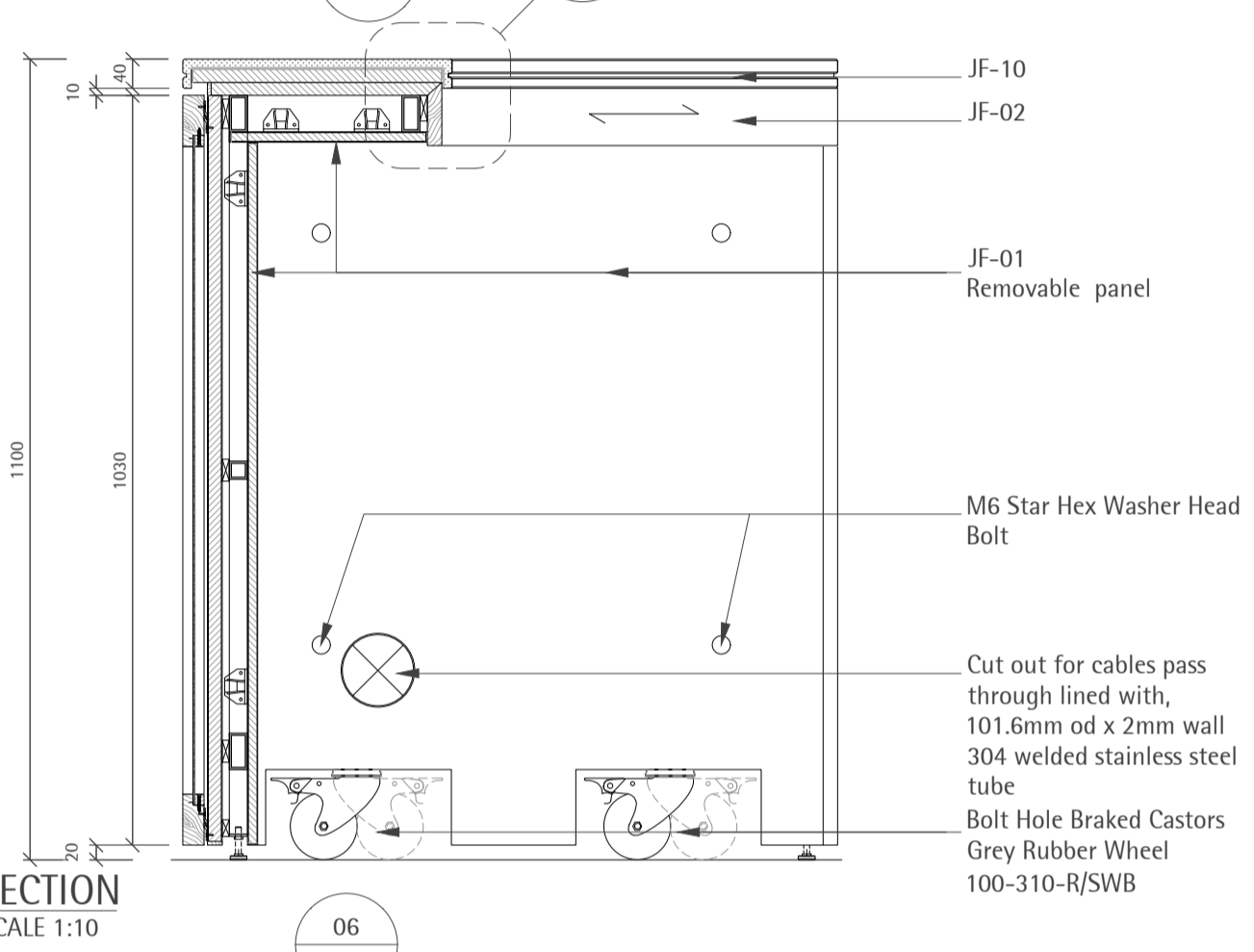
01 ELEVATION
SCALE 1:10



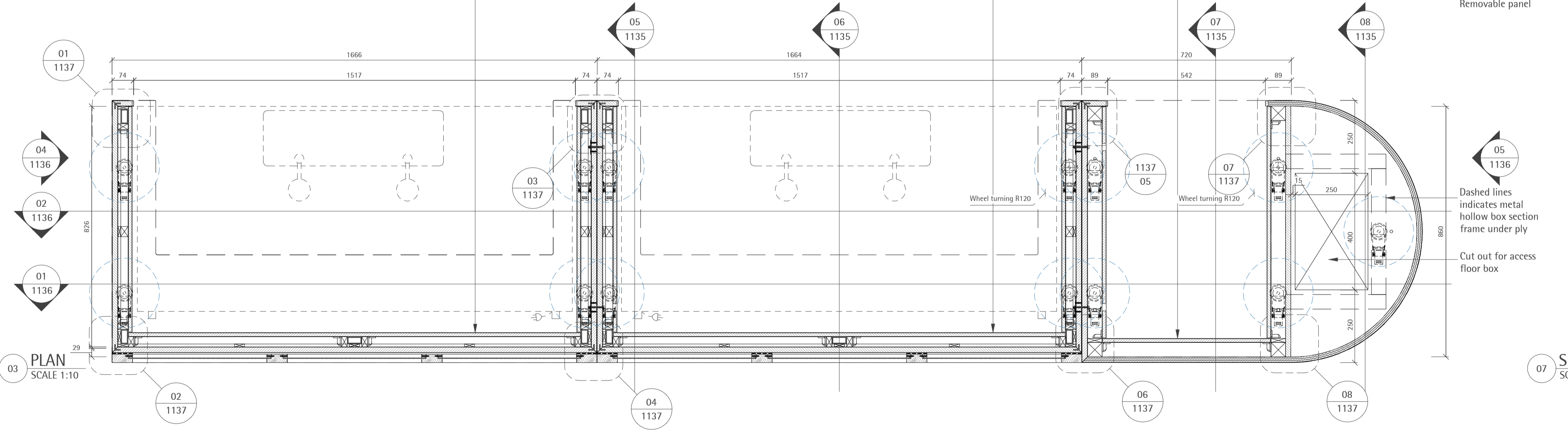
05 SECTION
SCALE 1:10



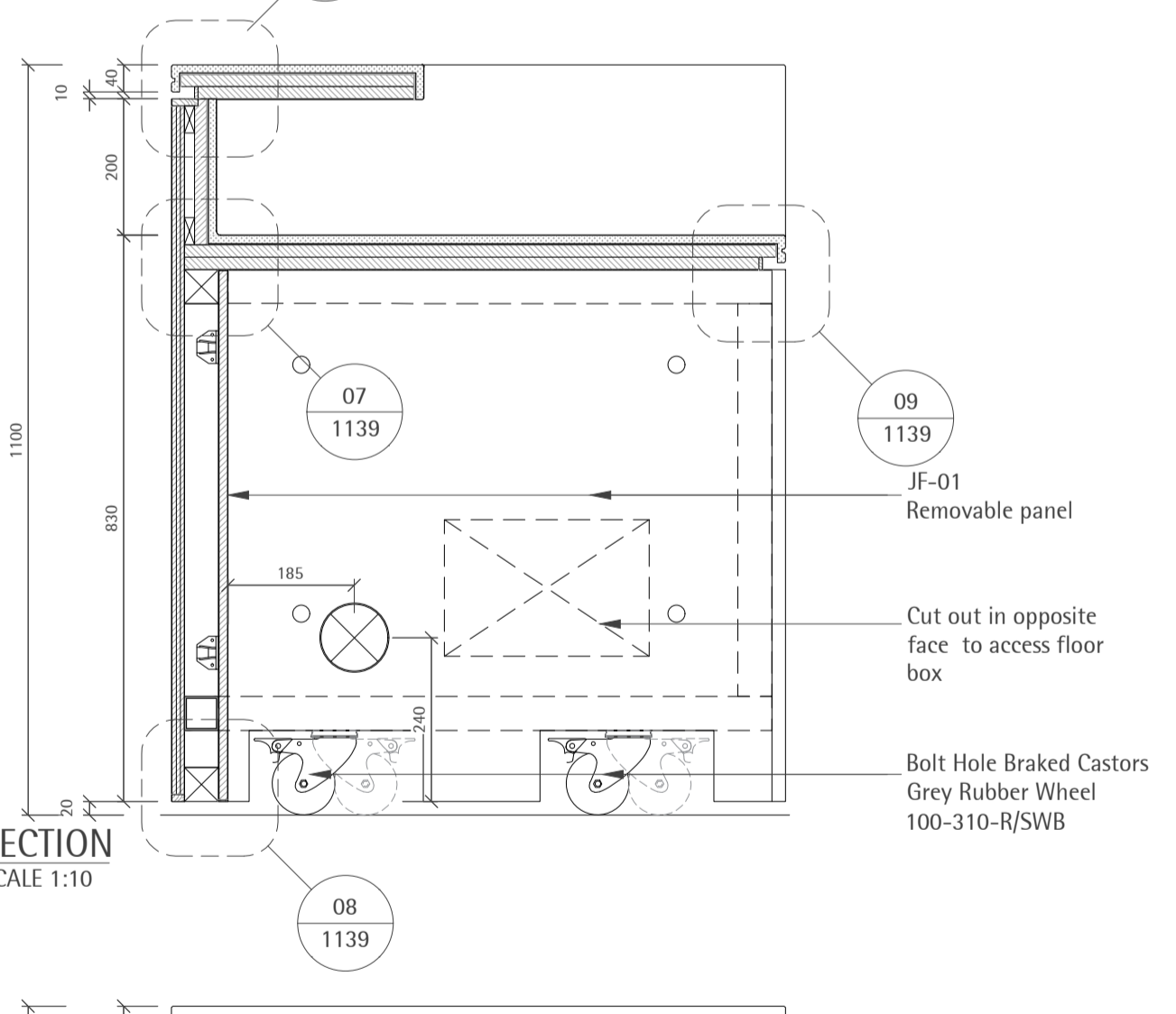
02 ELEVATION
SCALE 1:10



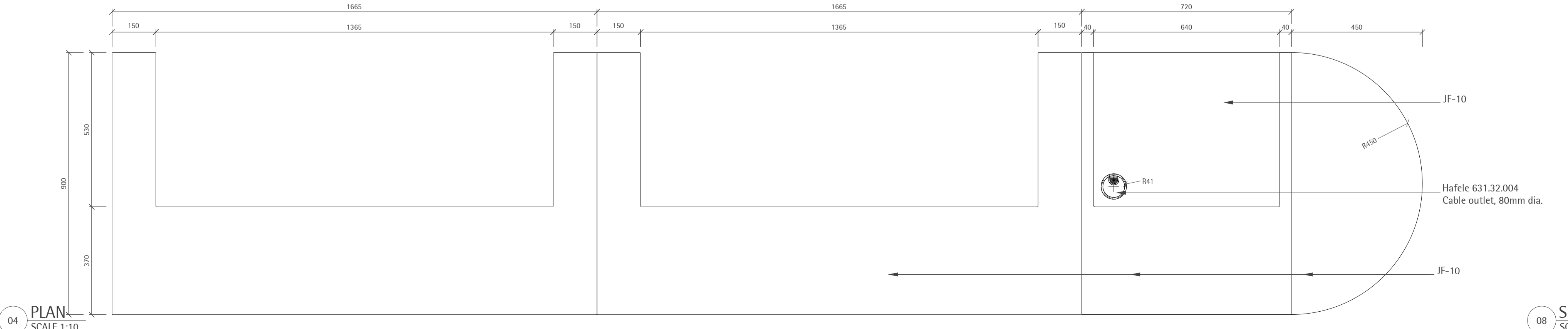
06 SECTION
SCALE 1:10



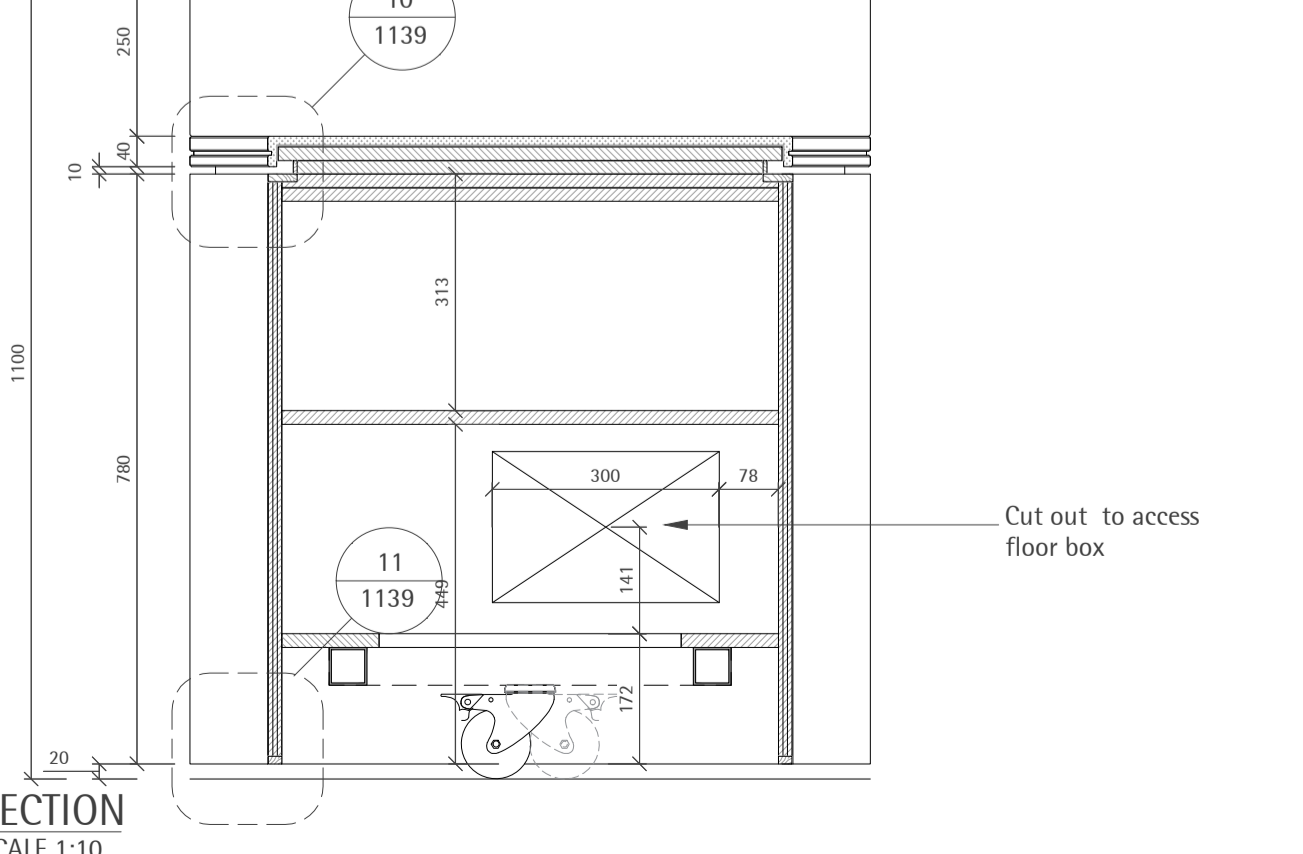
03 PLAN
SCALE 1:10



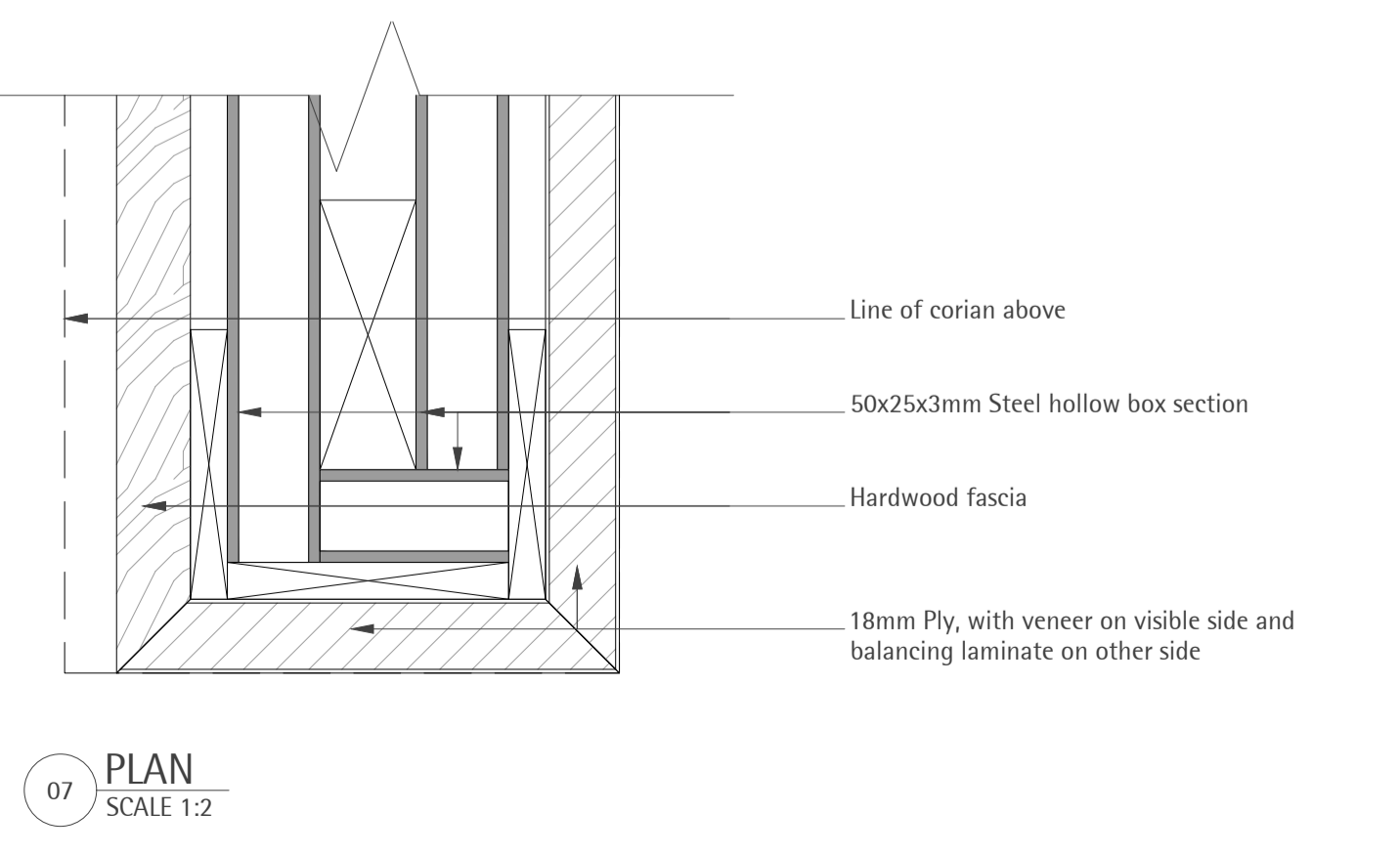
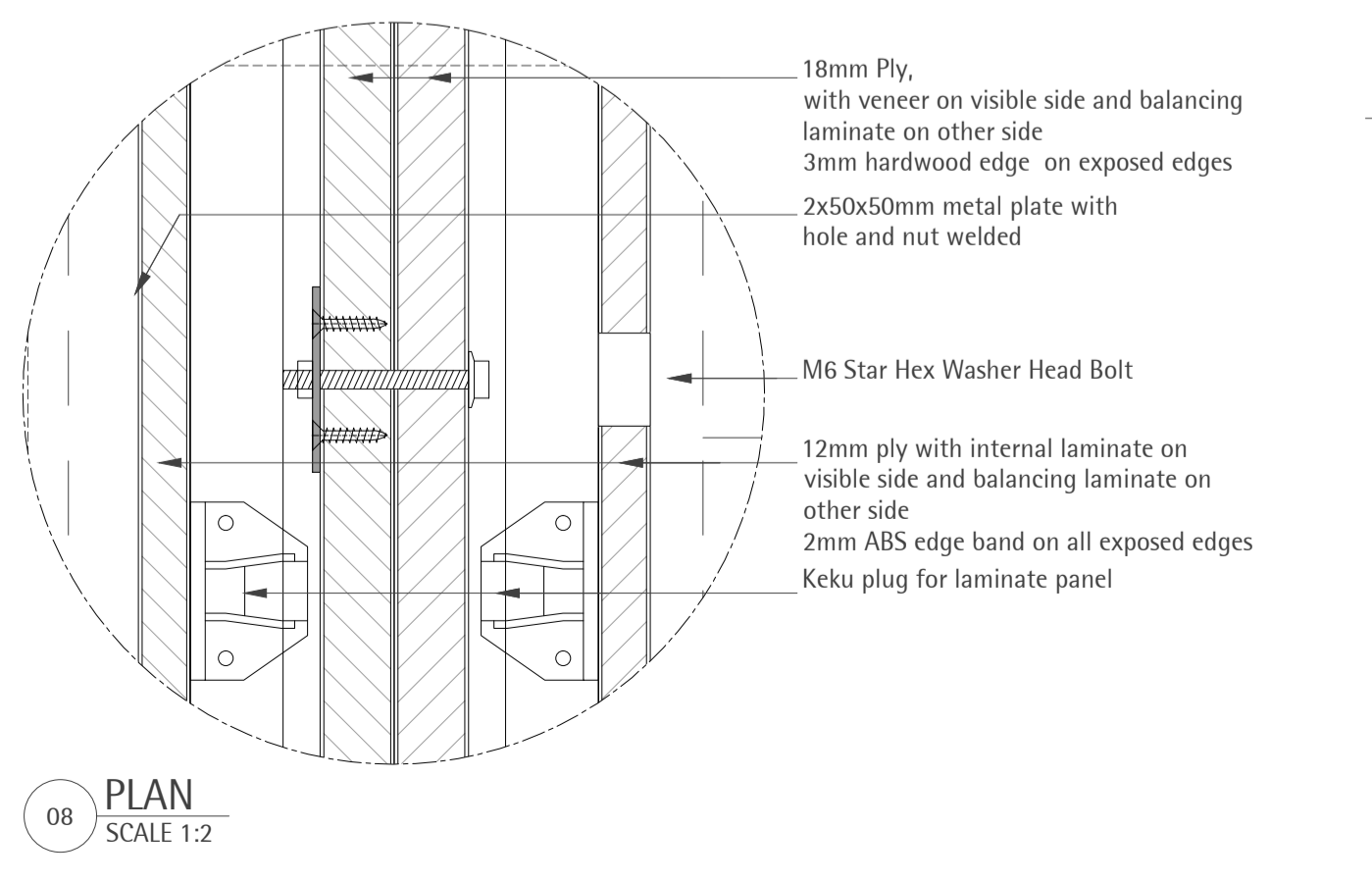
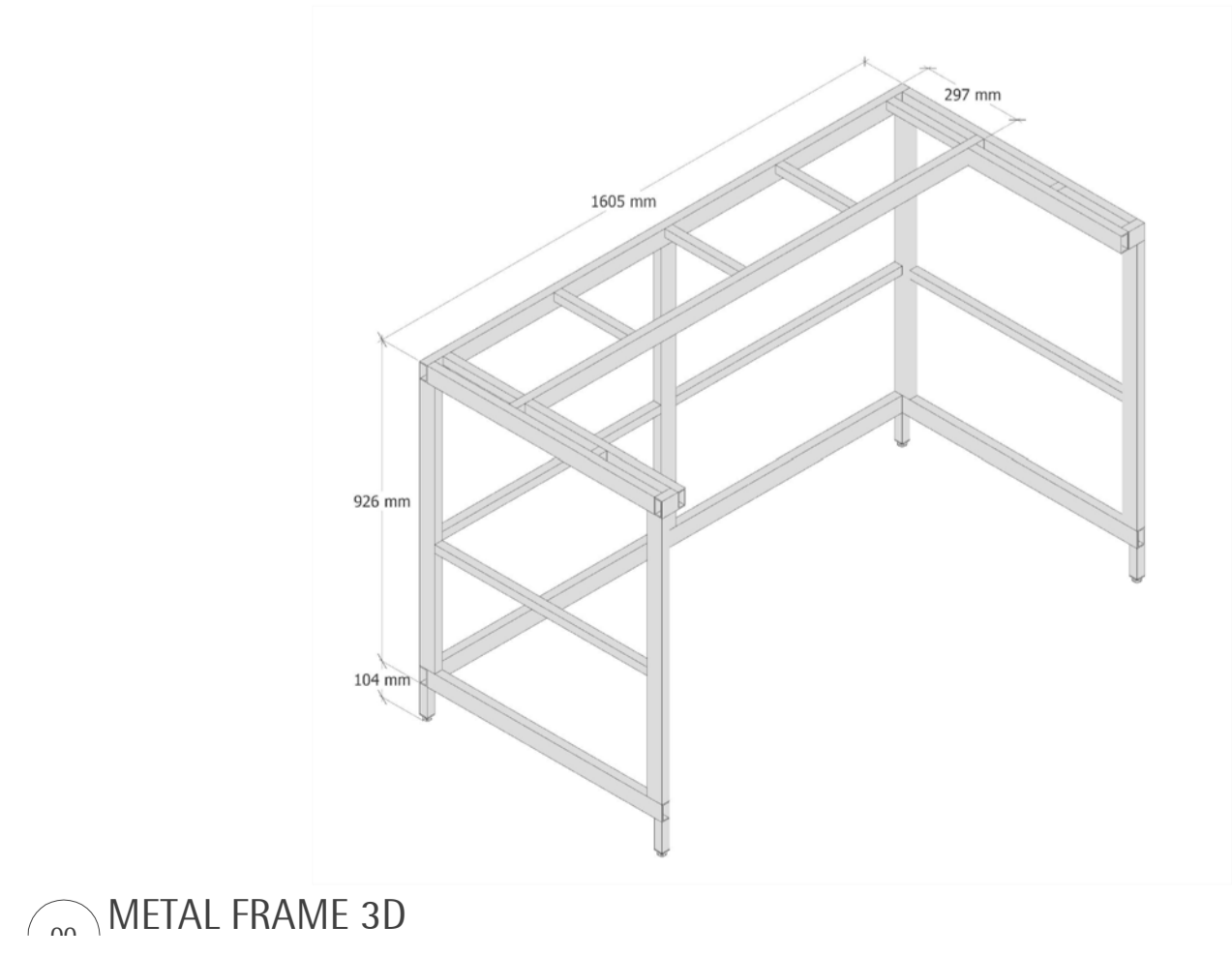
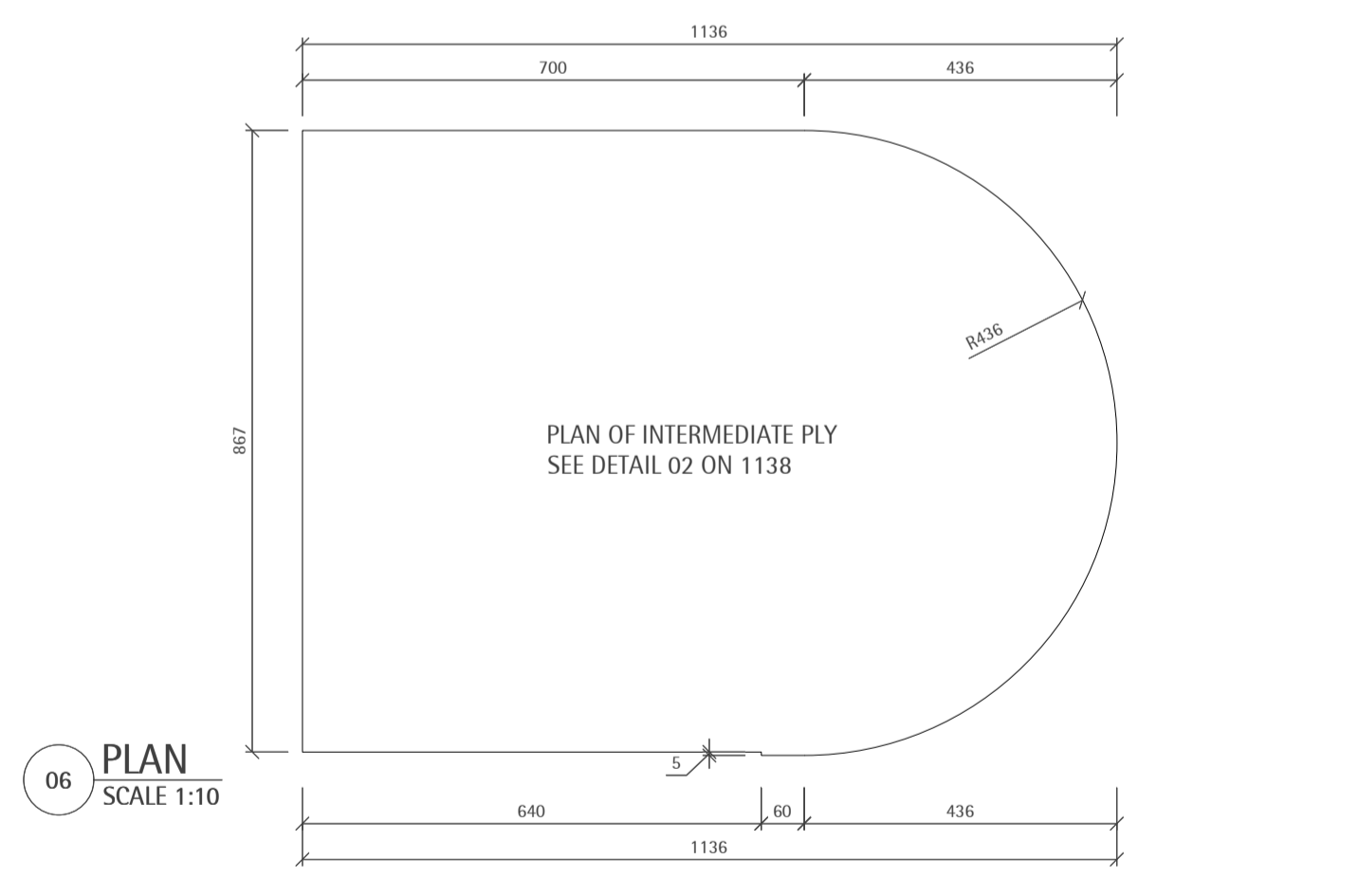
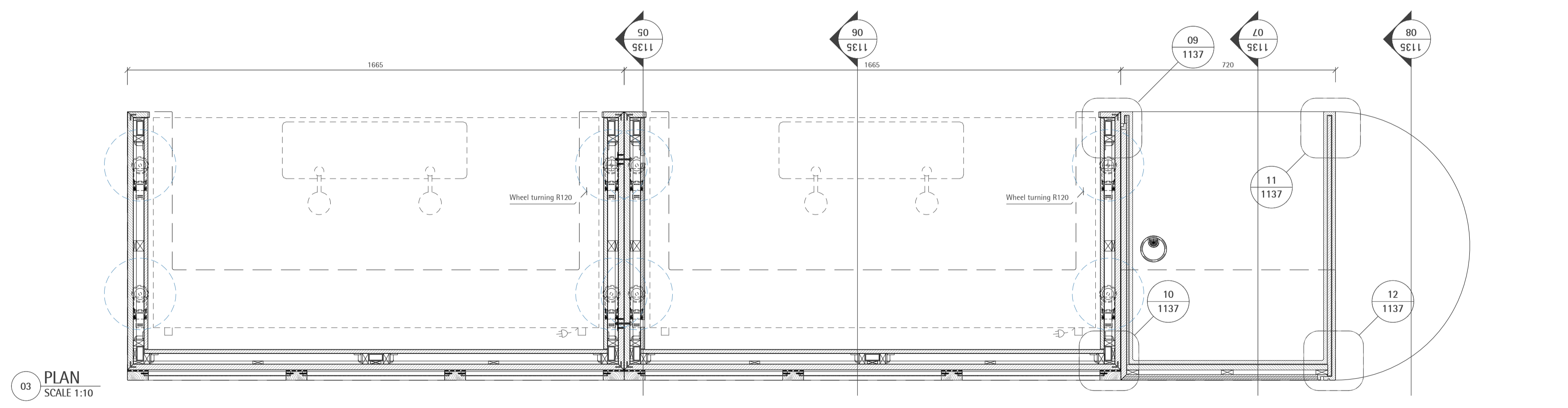
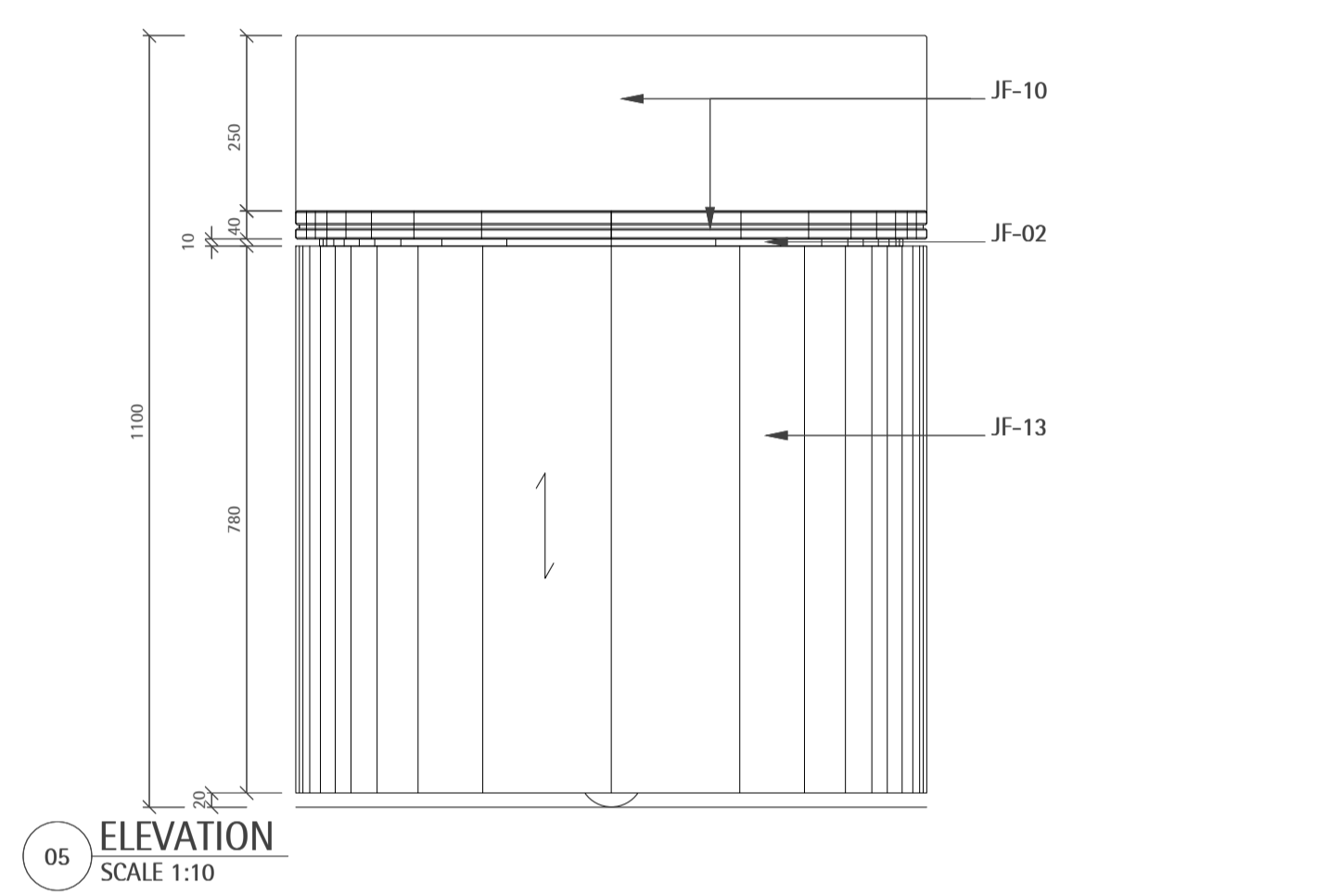
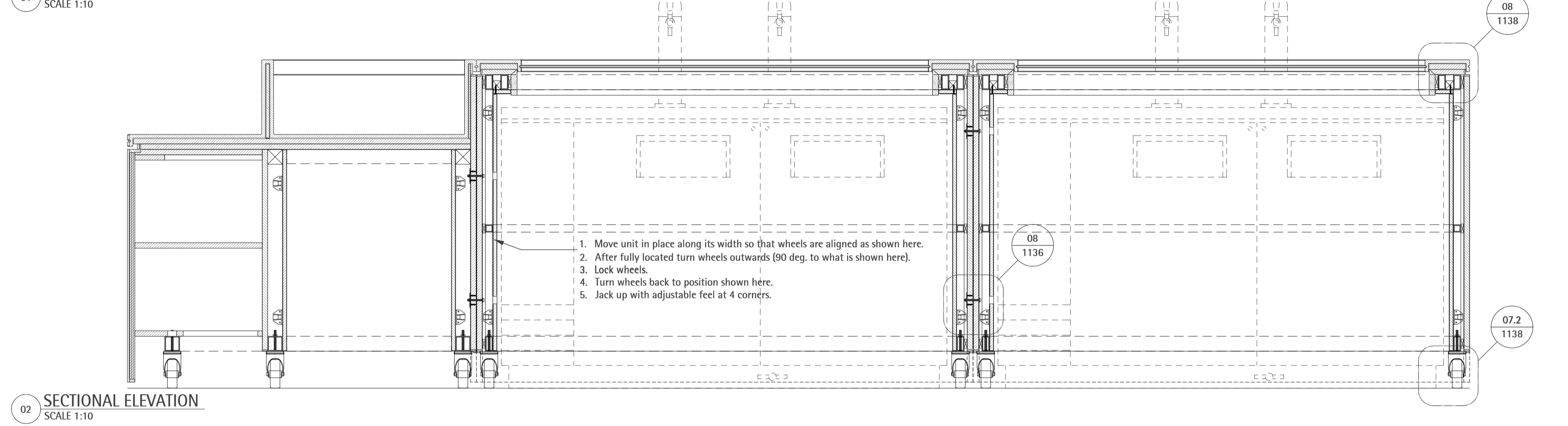
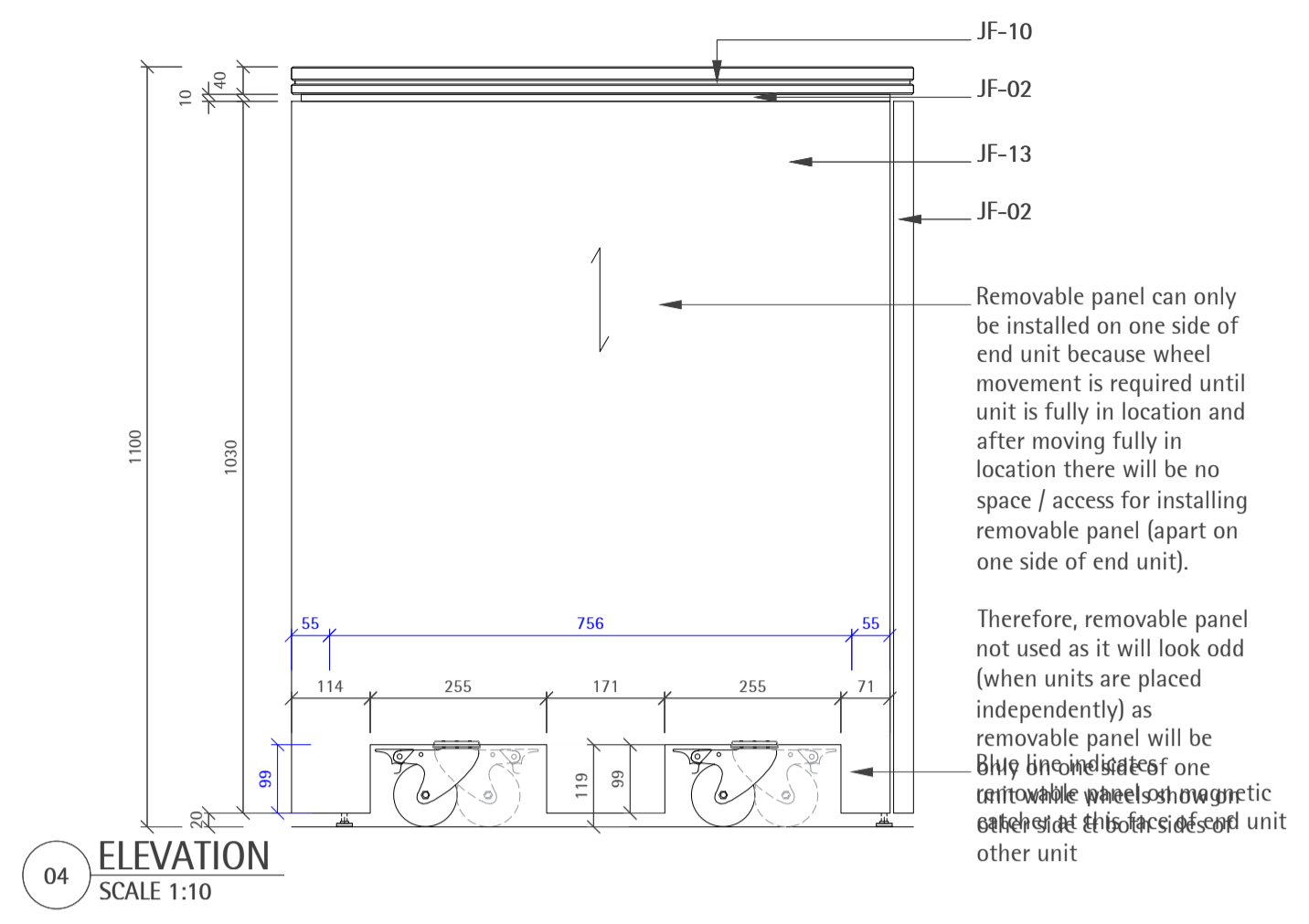
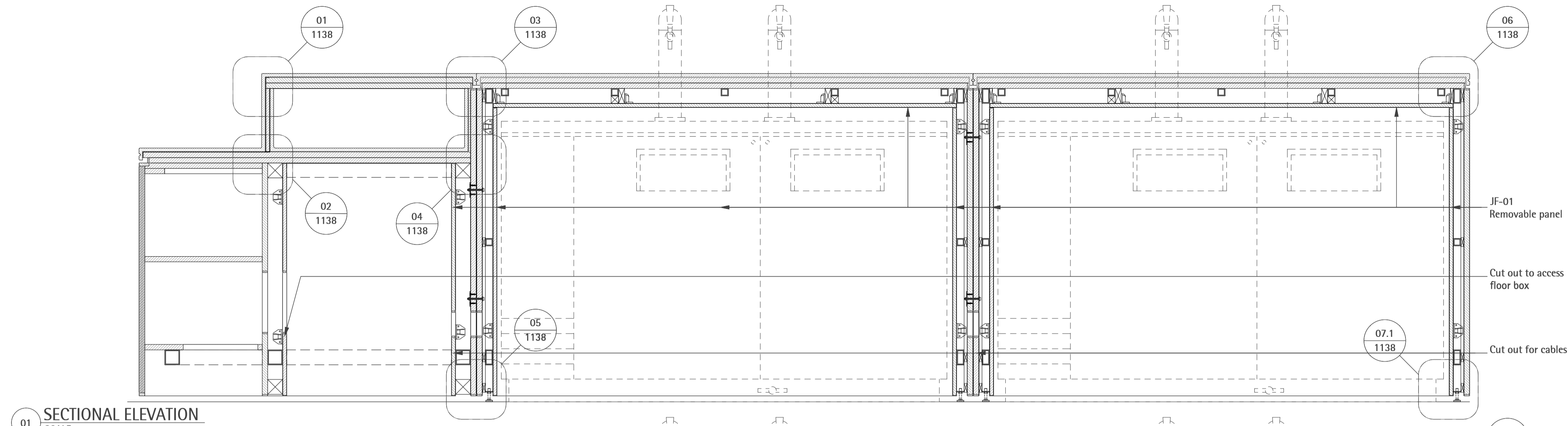
07 SECTION
SCALE 1:10

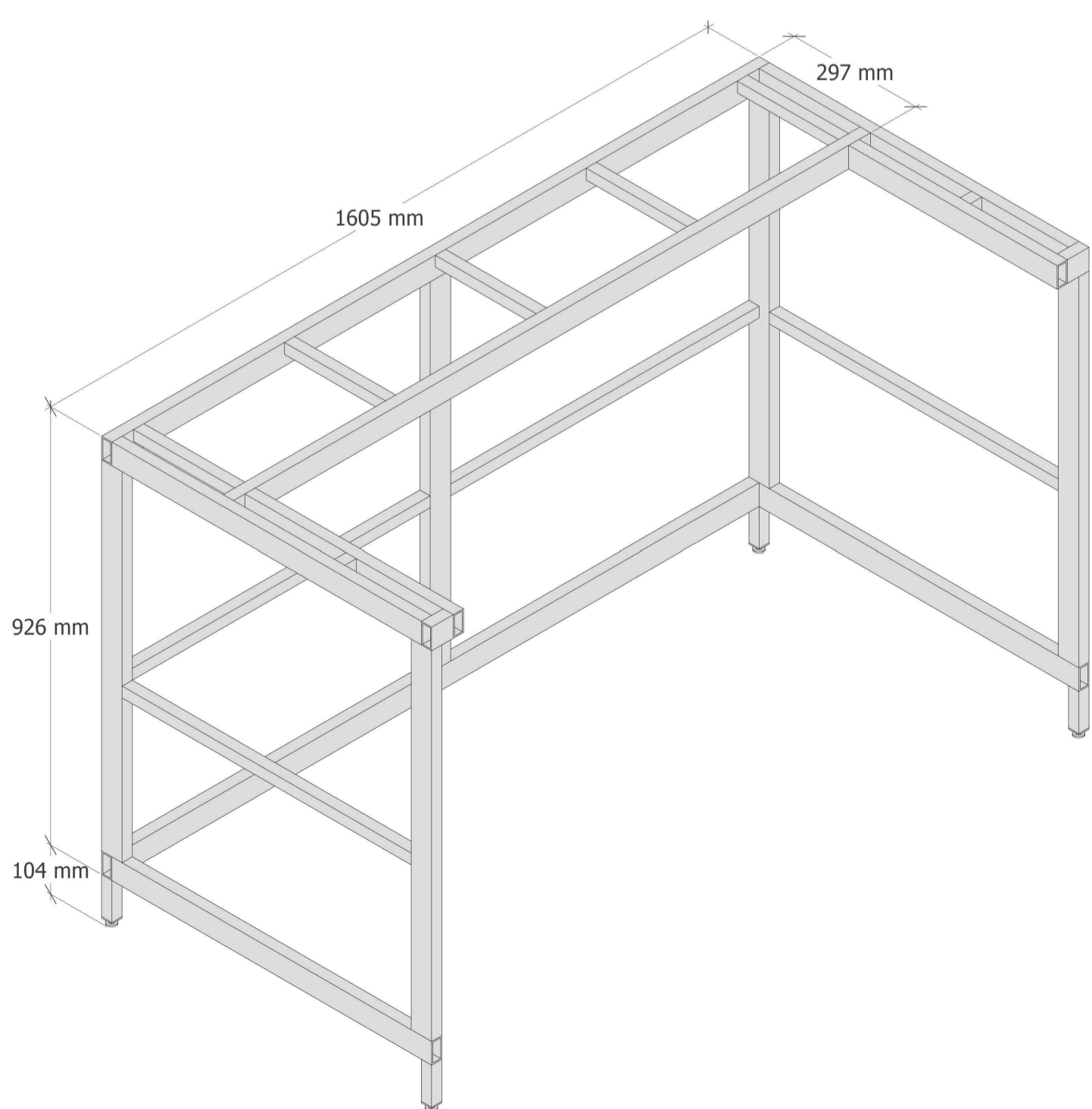
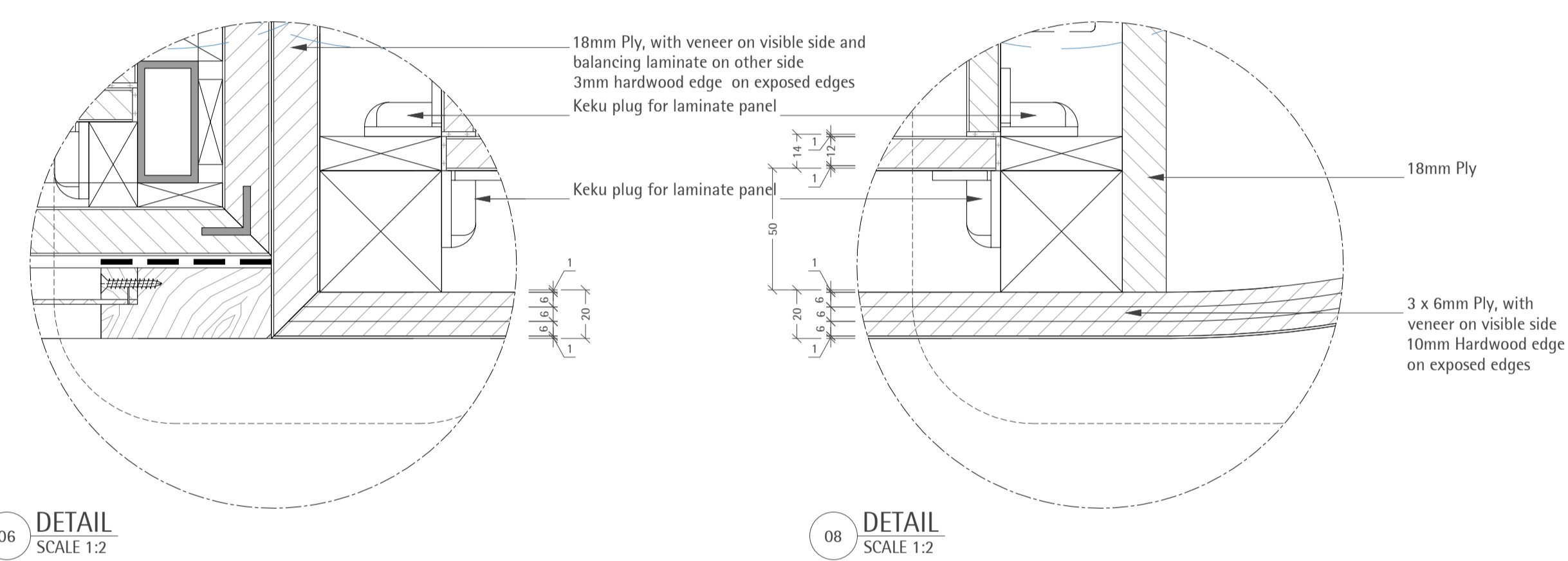
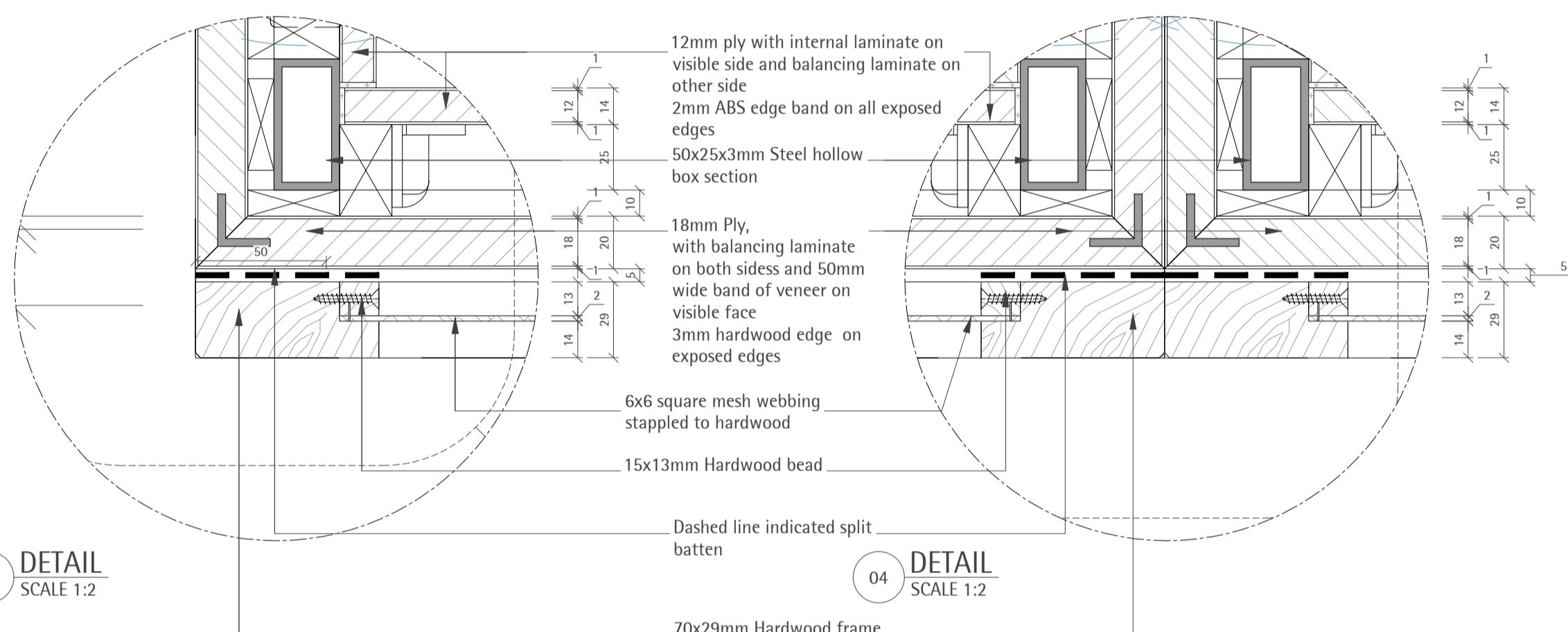
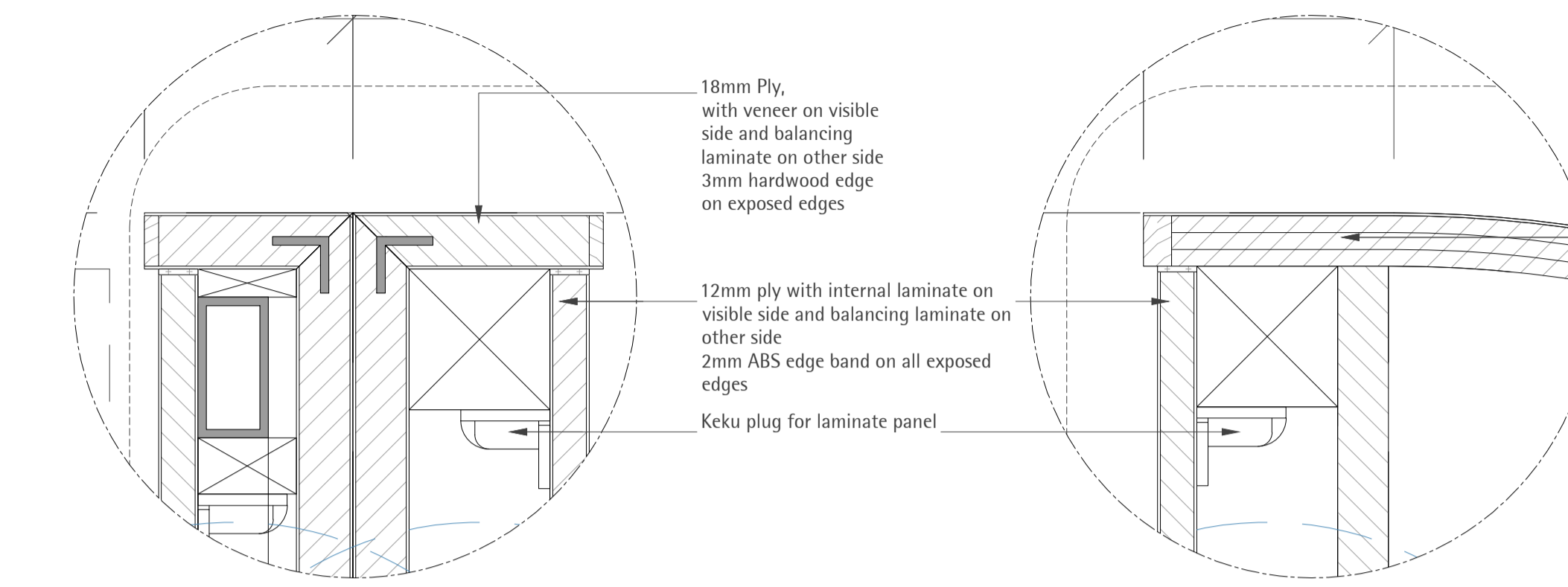
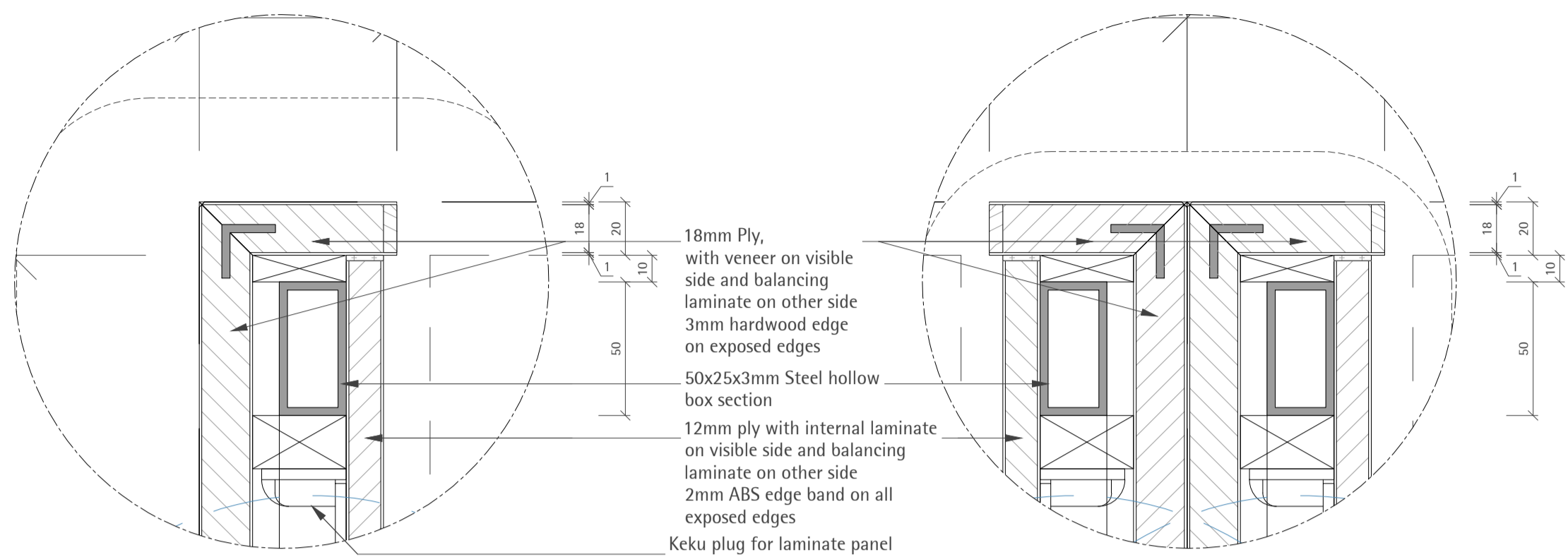


04 PLAN
SCALE 1:10

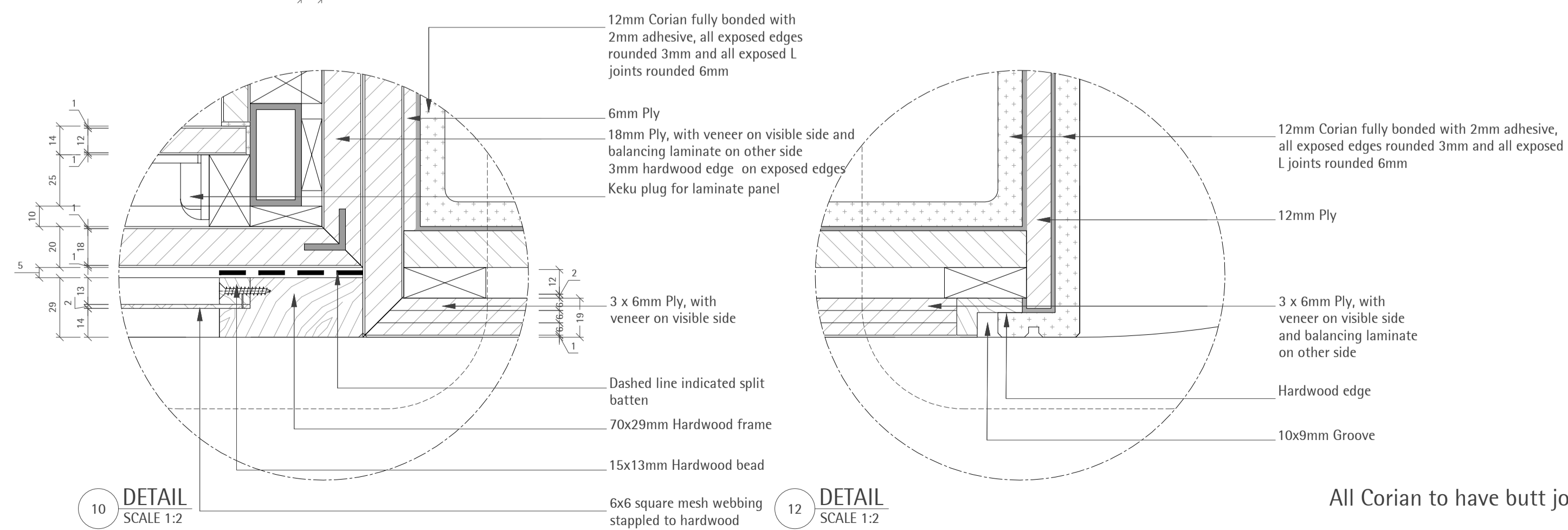
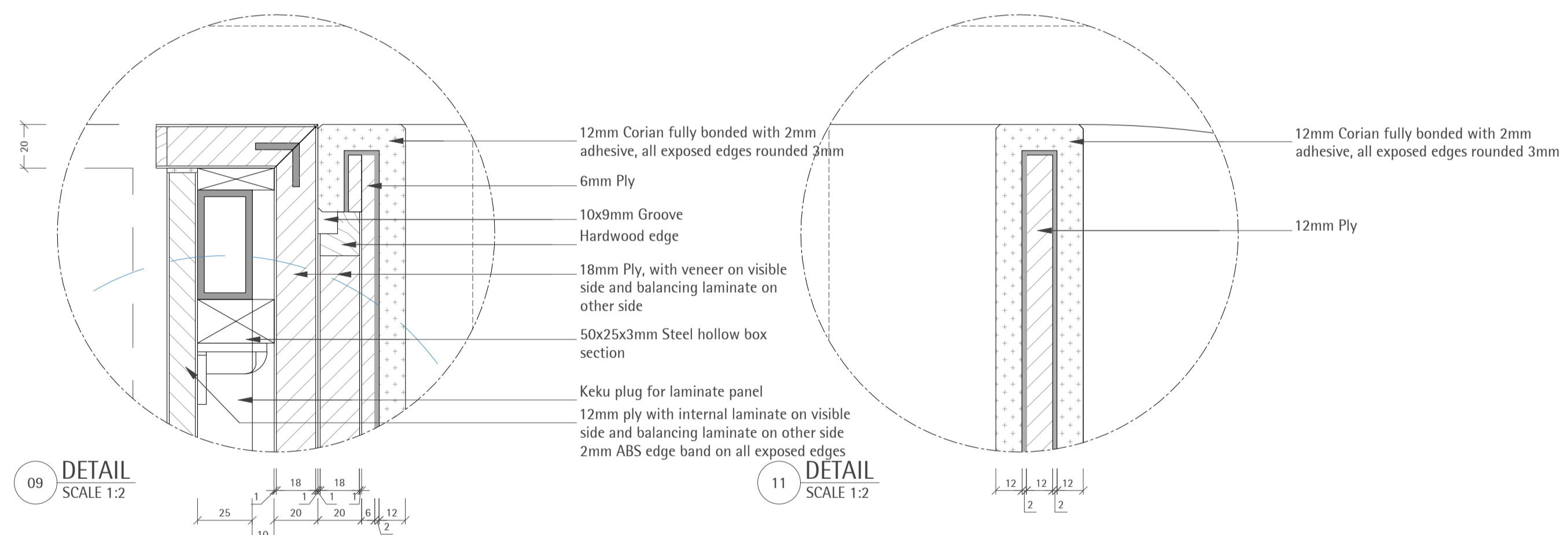


08 SECTION
SCALE 1:10

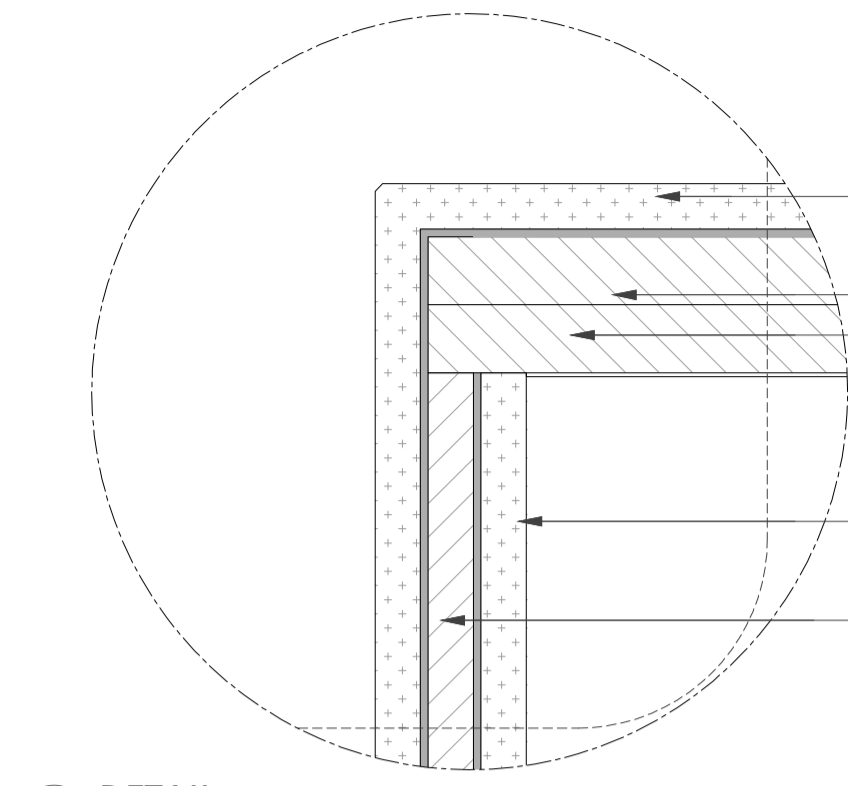




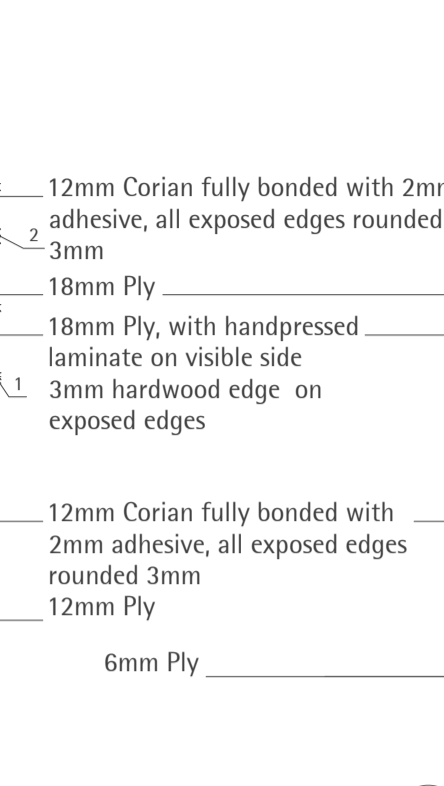
11 METAL FRAME 3D



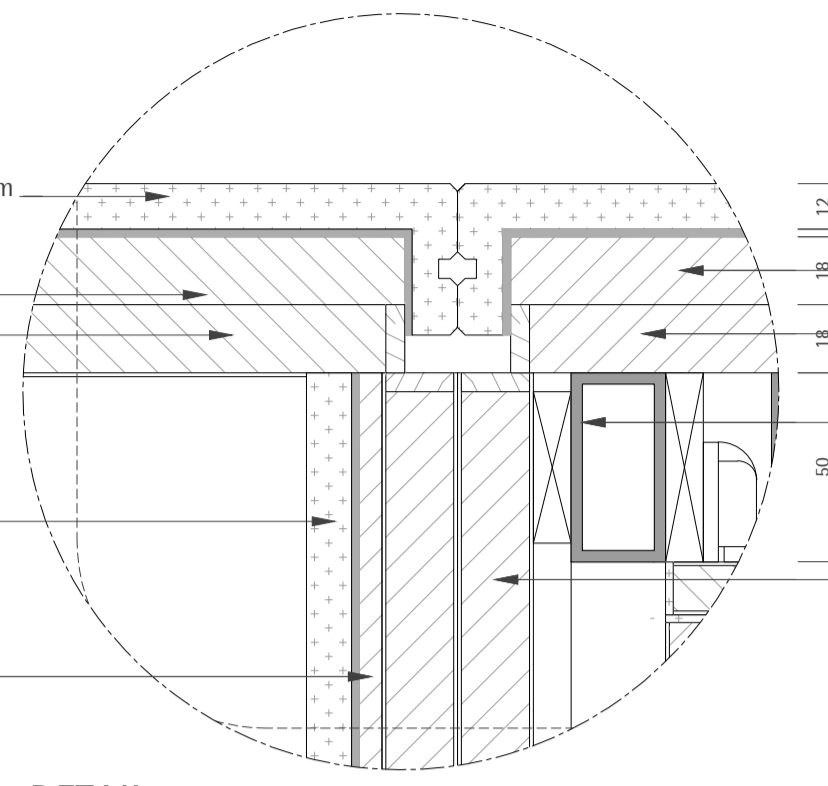
All Corian to have butt joints



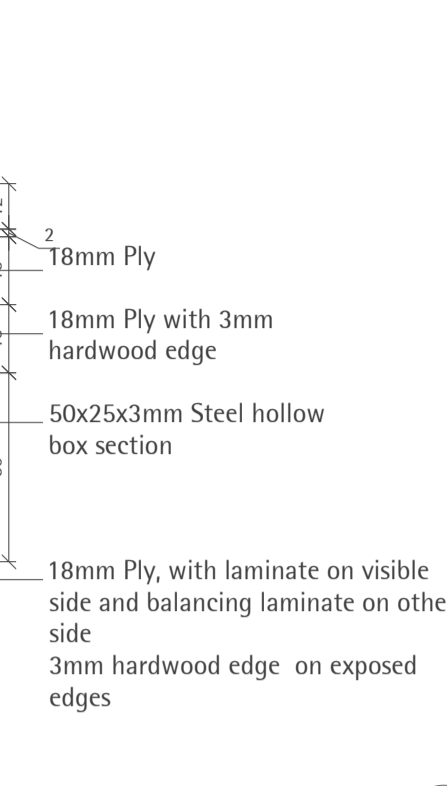
01 DETAIL
SCALE 1:2



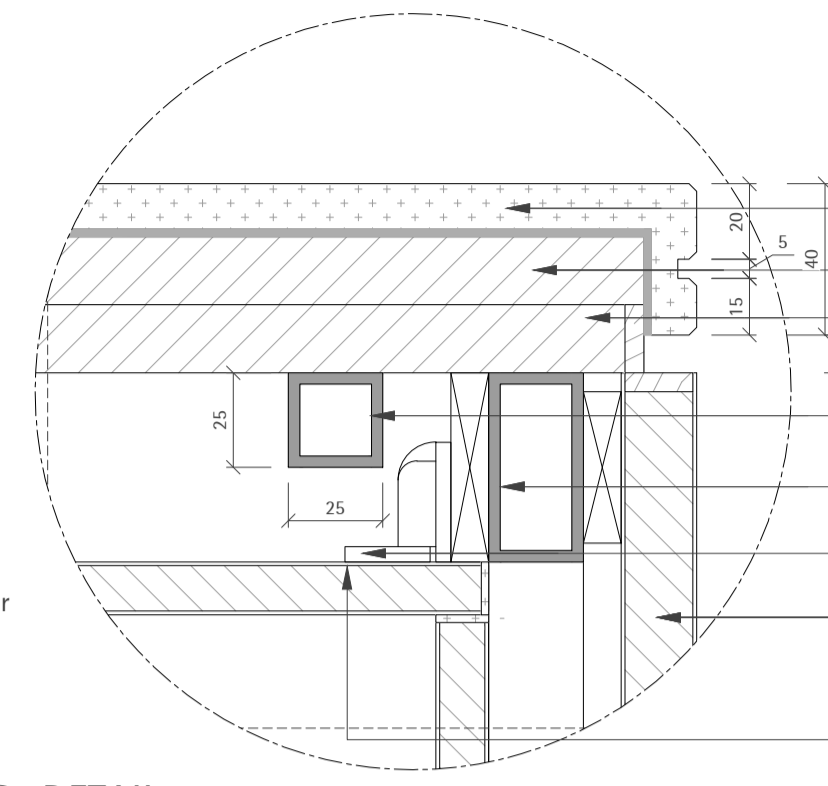
02 DETAIL
SCALE 1:2



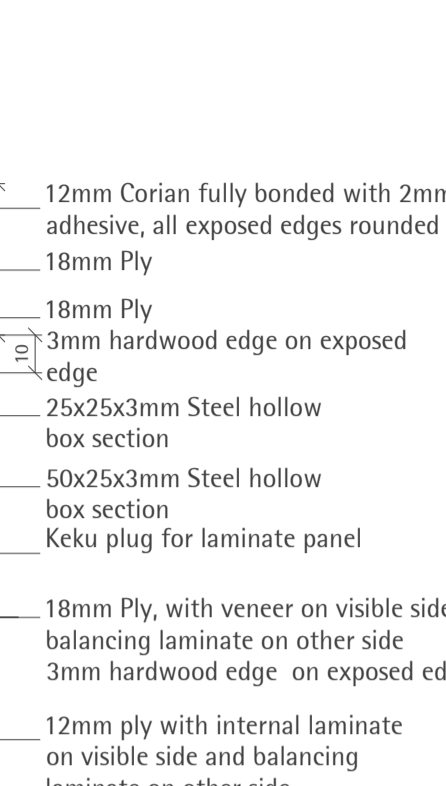
03 DETAIL
SCALE 1:2



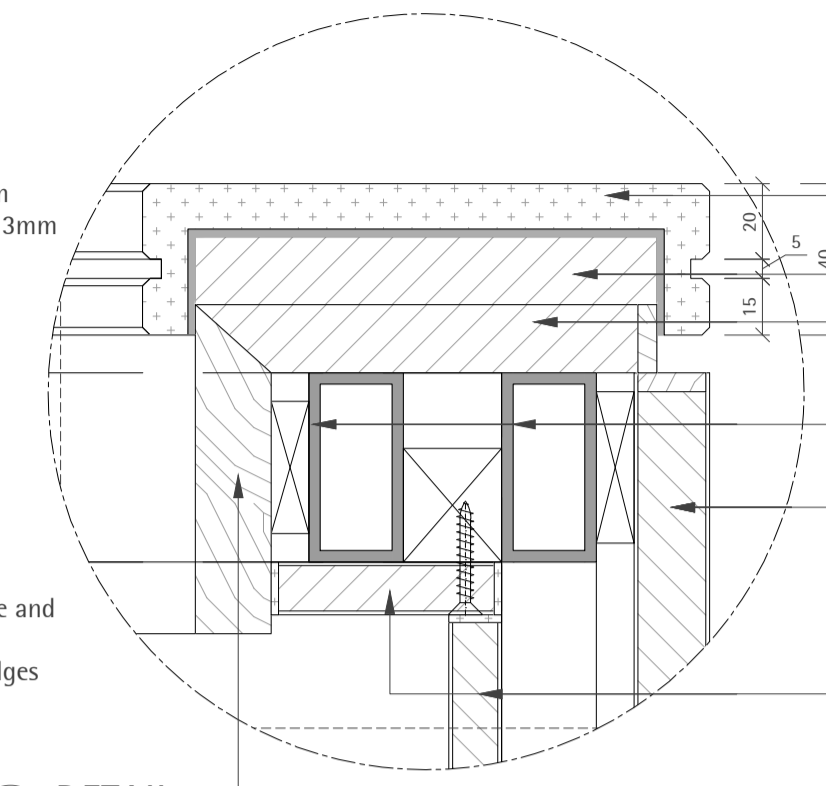
04 DETAIL
SCALE 1:2



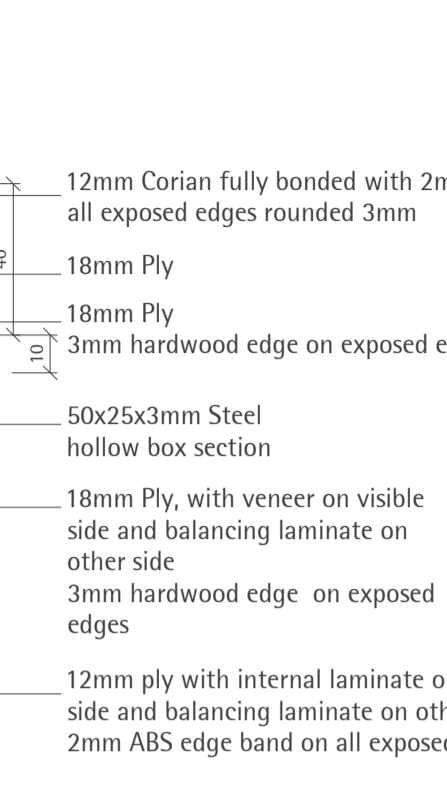
05 DETAIL
SCALE 1:2



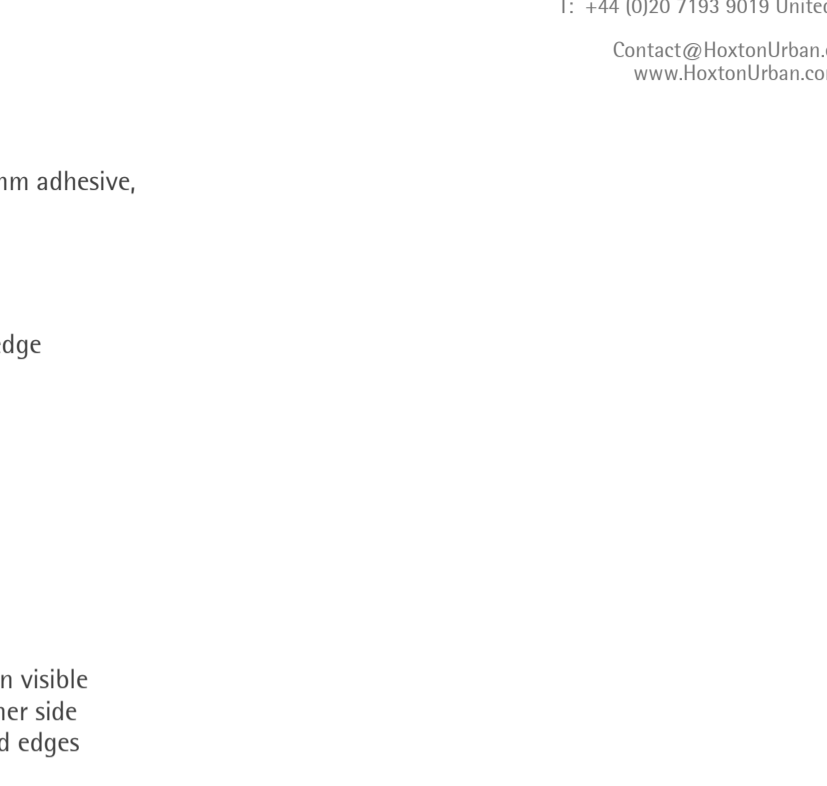
06 DETAIL
SCALE 1:2



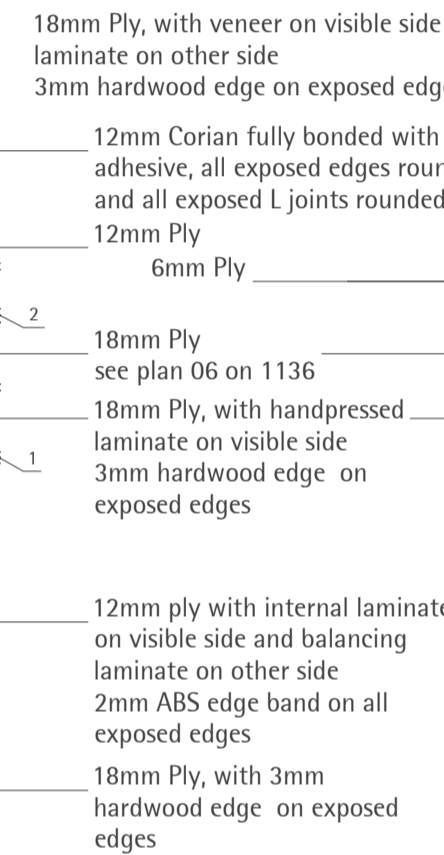
07 DETAIL
SCALE 1:2



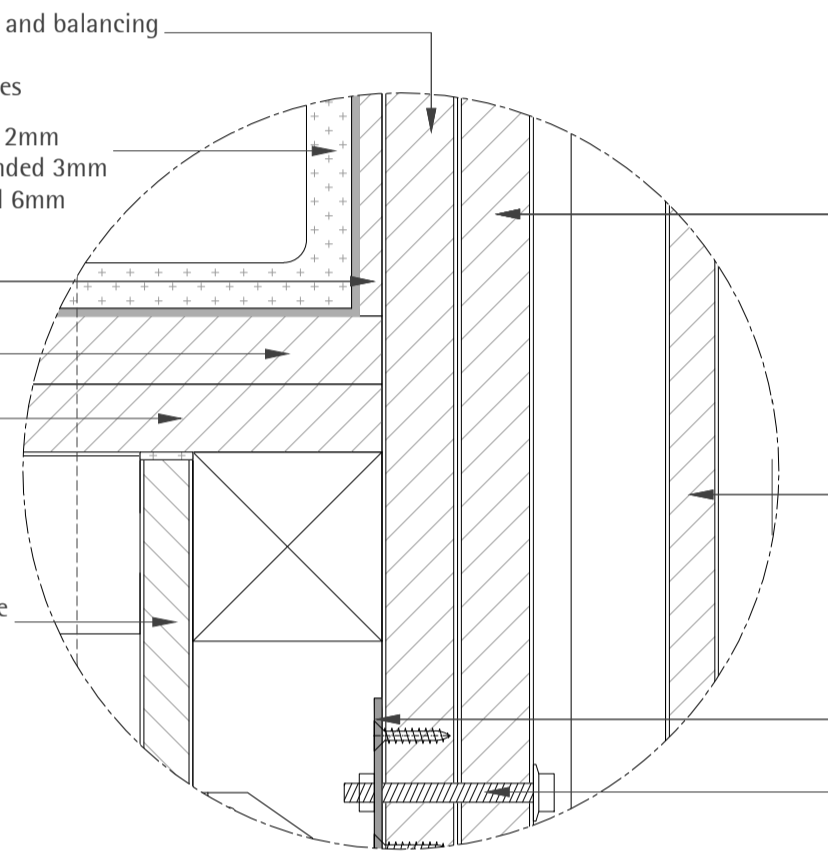
07.1 DETAIL
SCALE 1:2



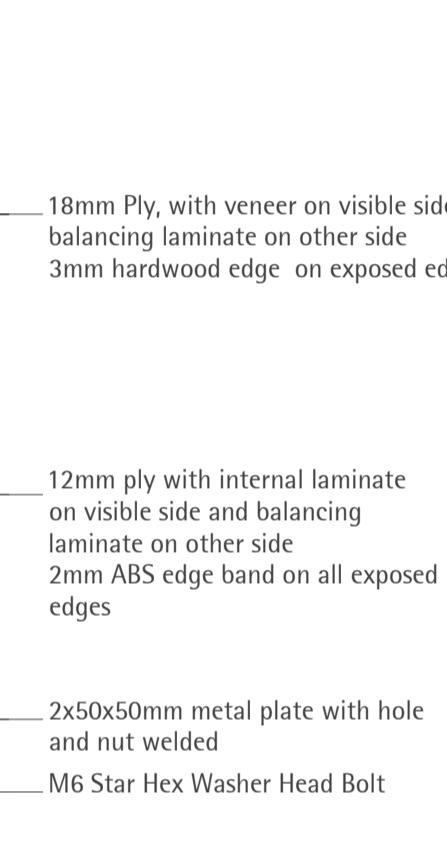
07.2 DETAIL
SCALE 1:2



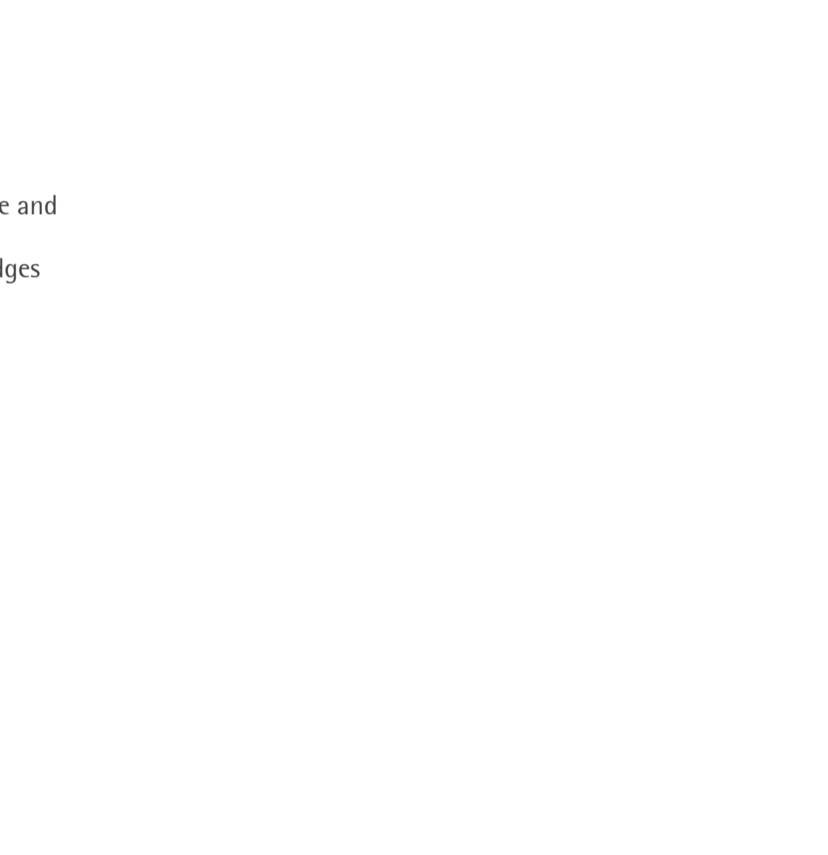
08 DETAIL
SCALE 1:2



09 DETAIL
SCALE 1:2



10 DETAIL
SCALE 1:2



11 DETAIL
SCALE 1:2



12 DETAIL
SCALE 1:2



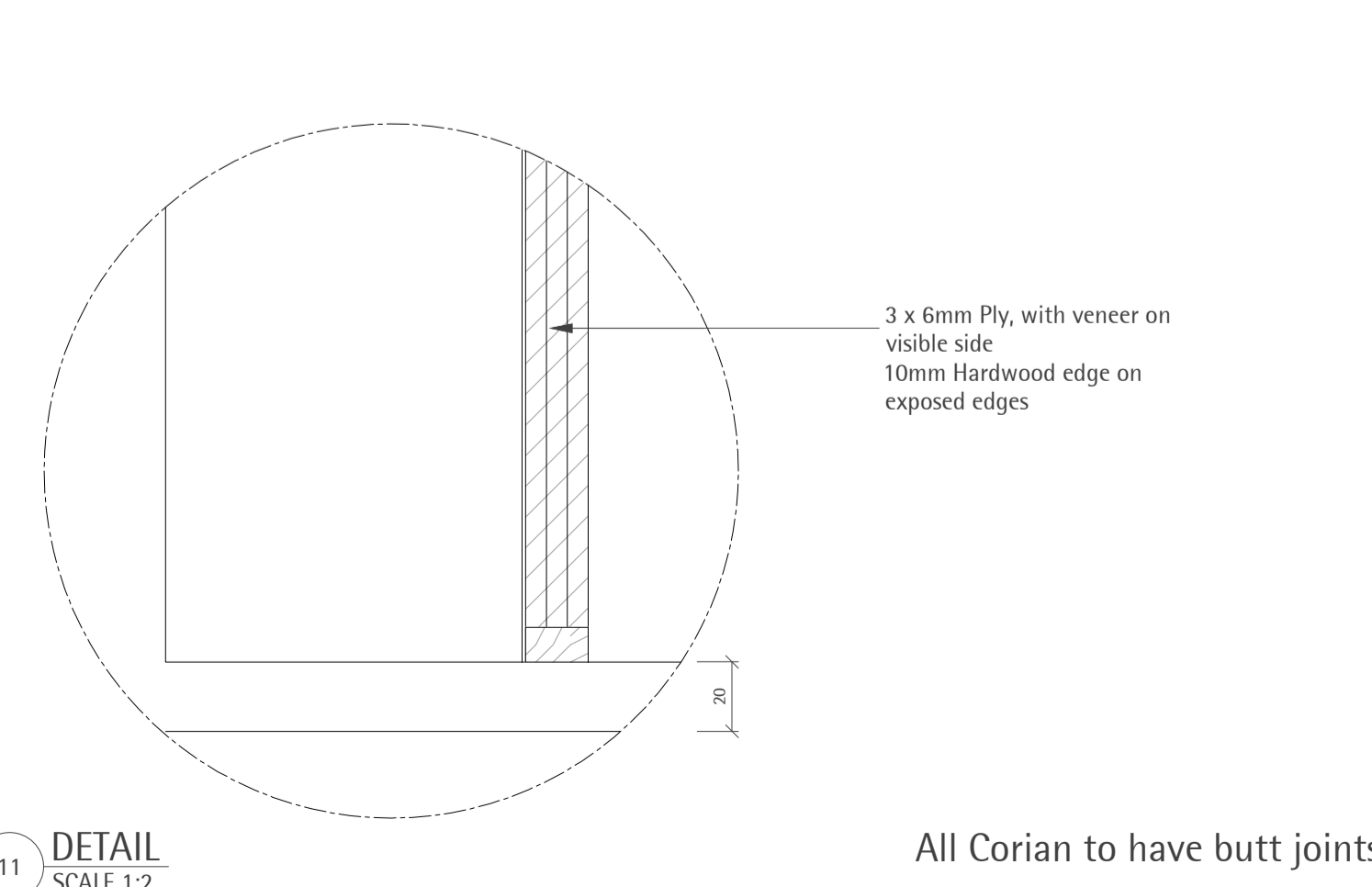
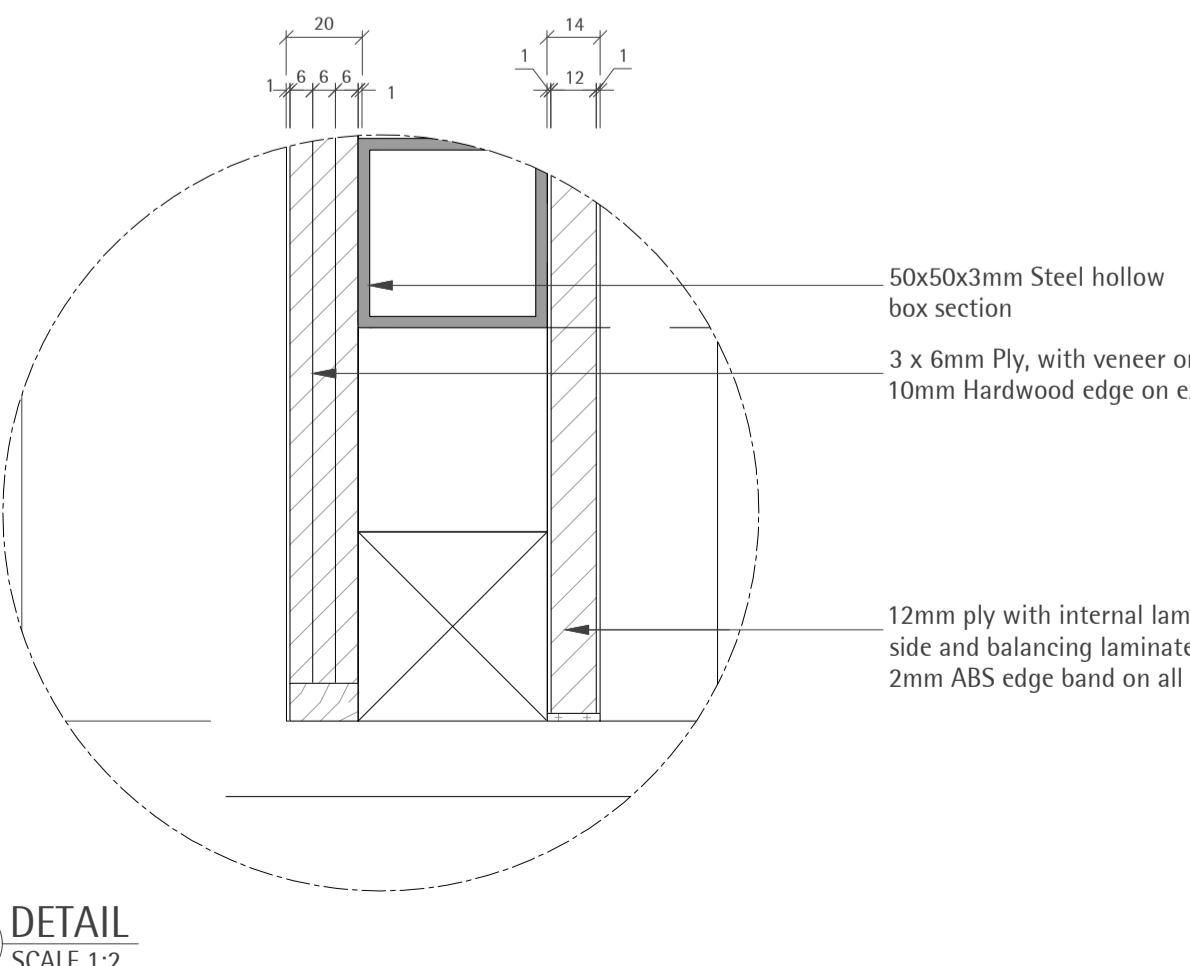
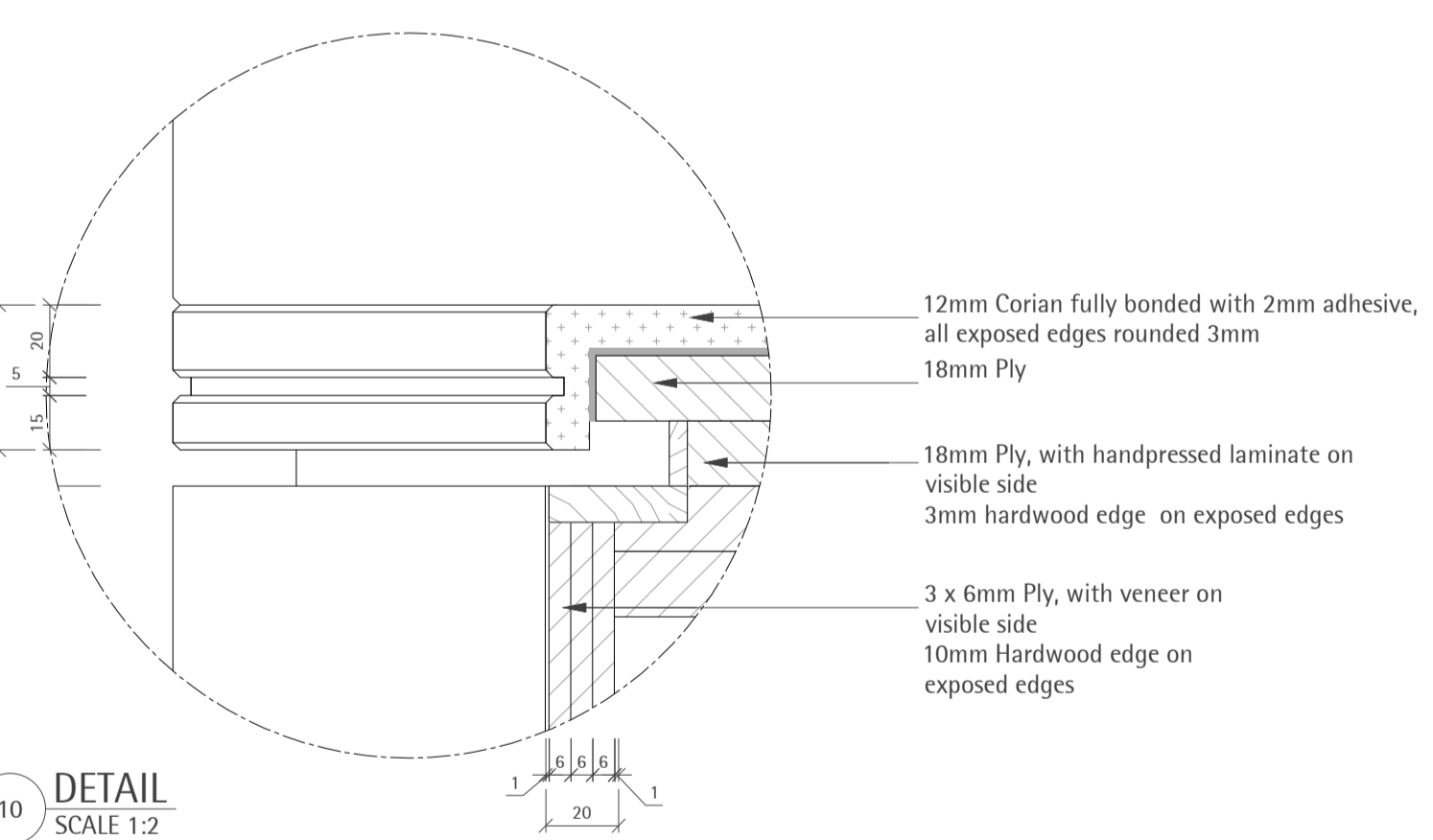
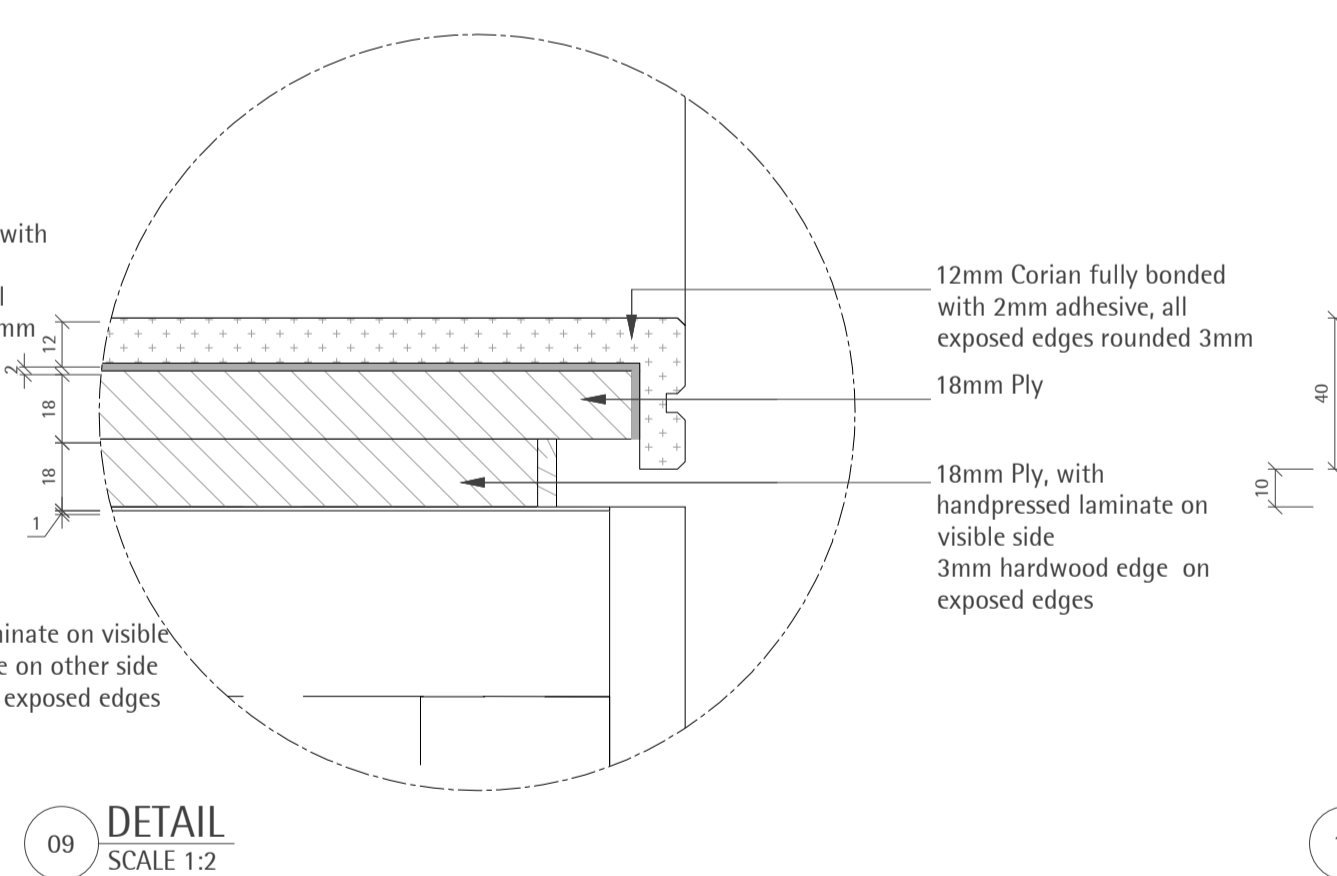
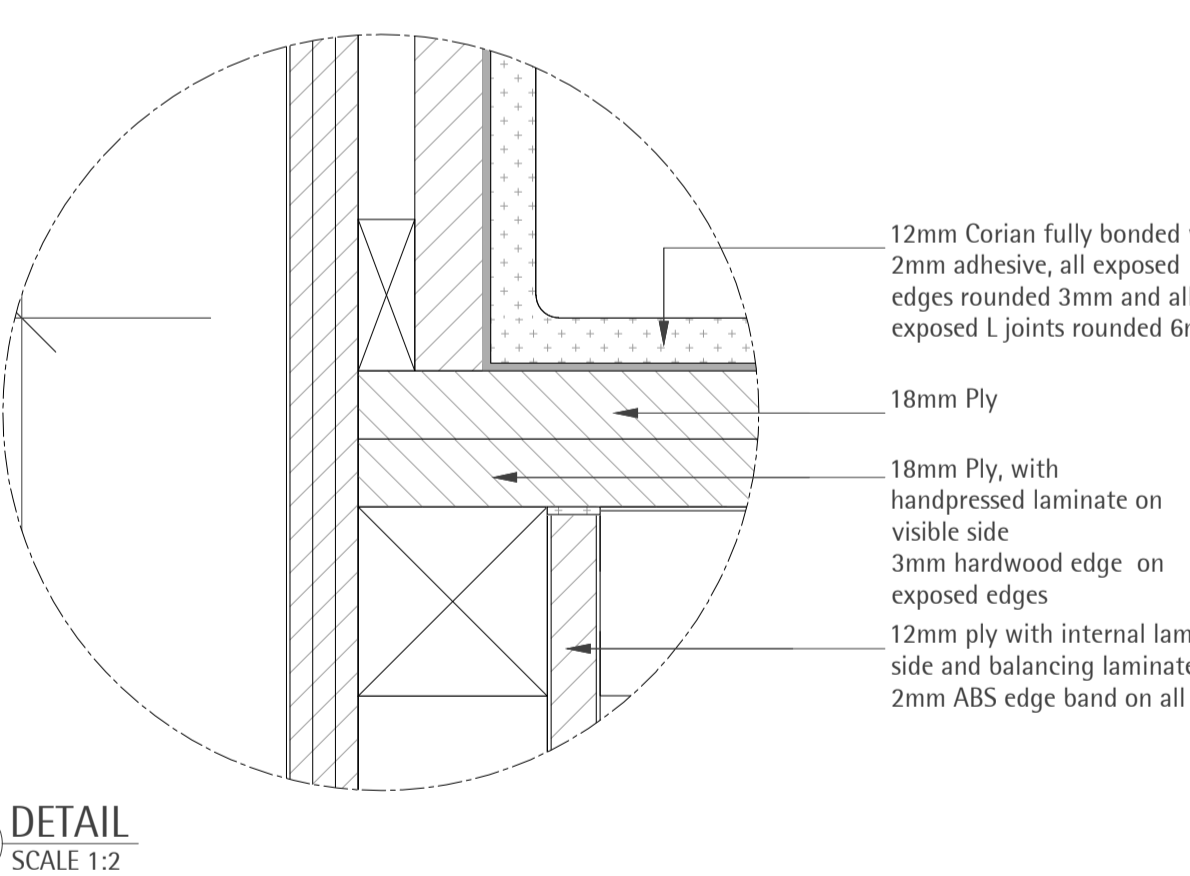
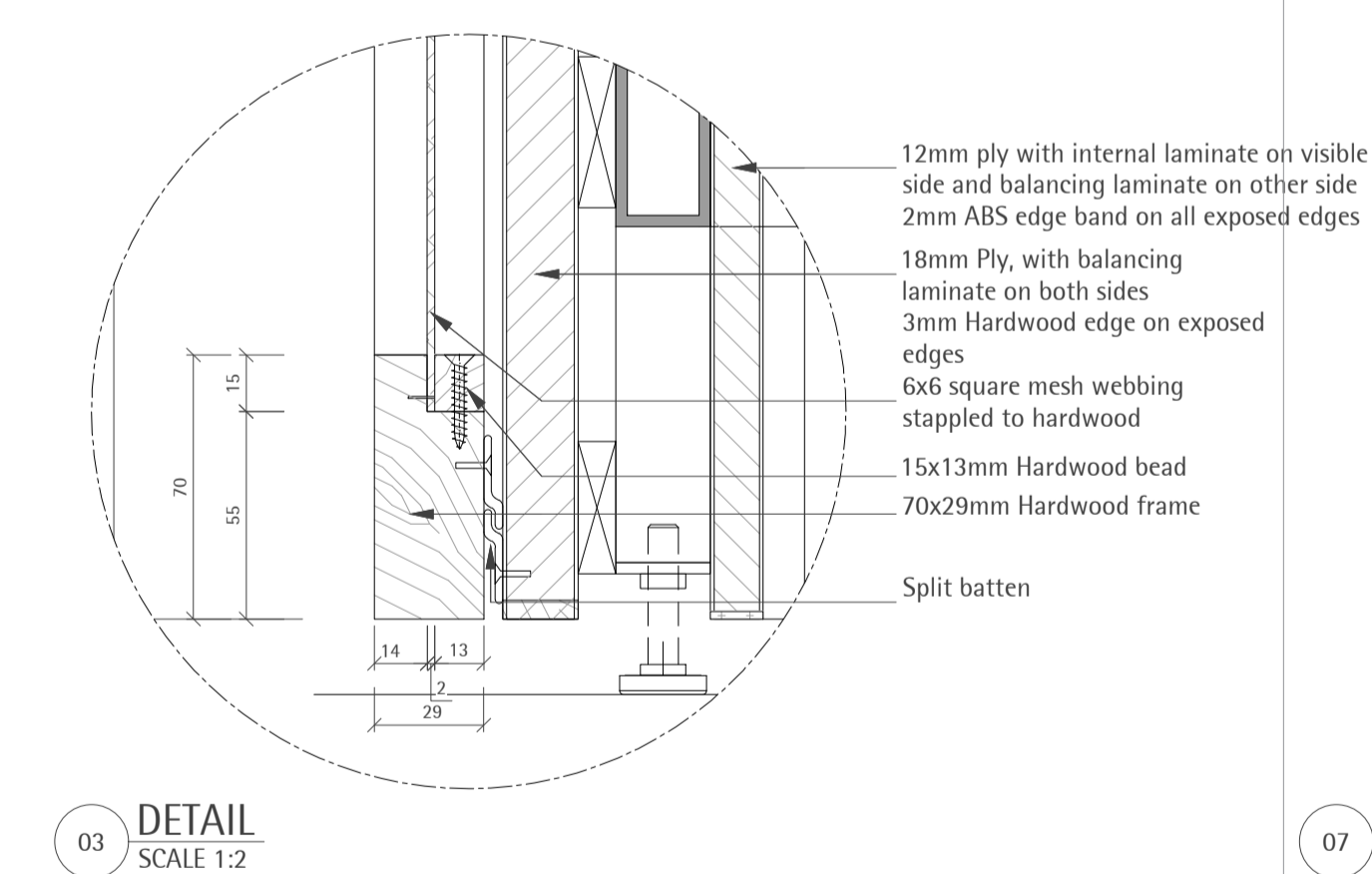
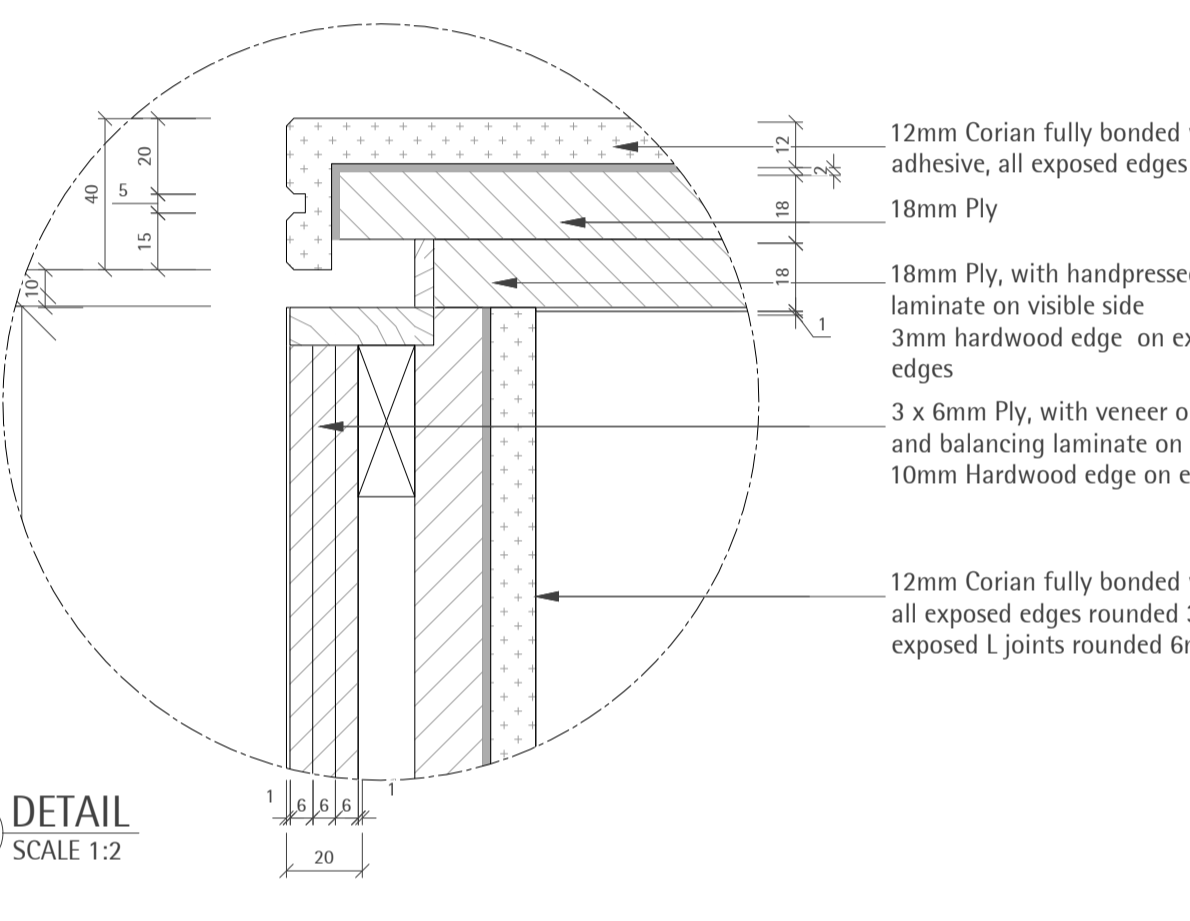
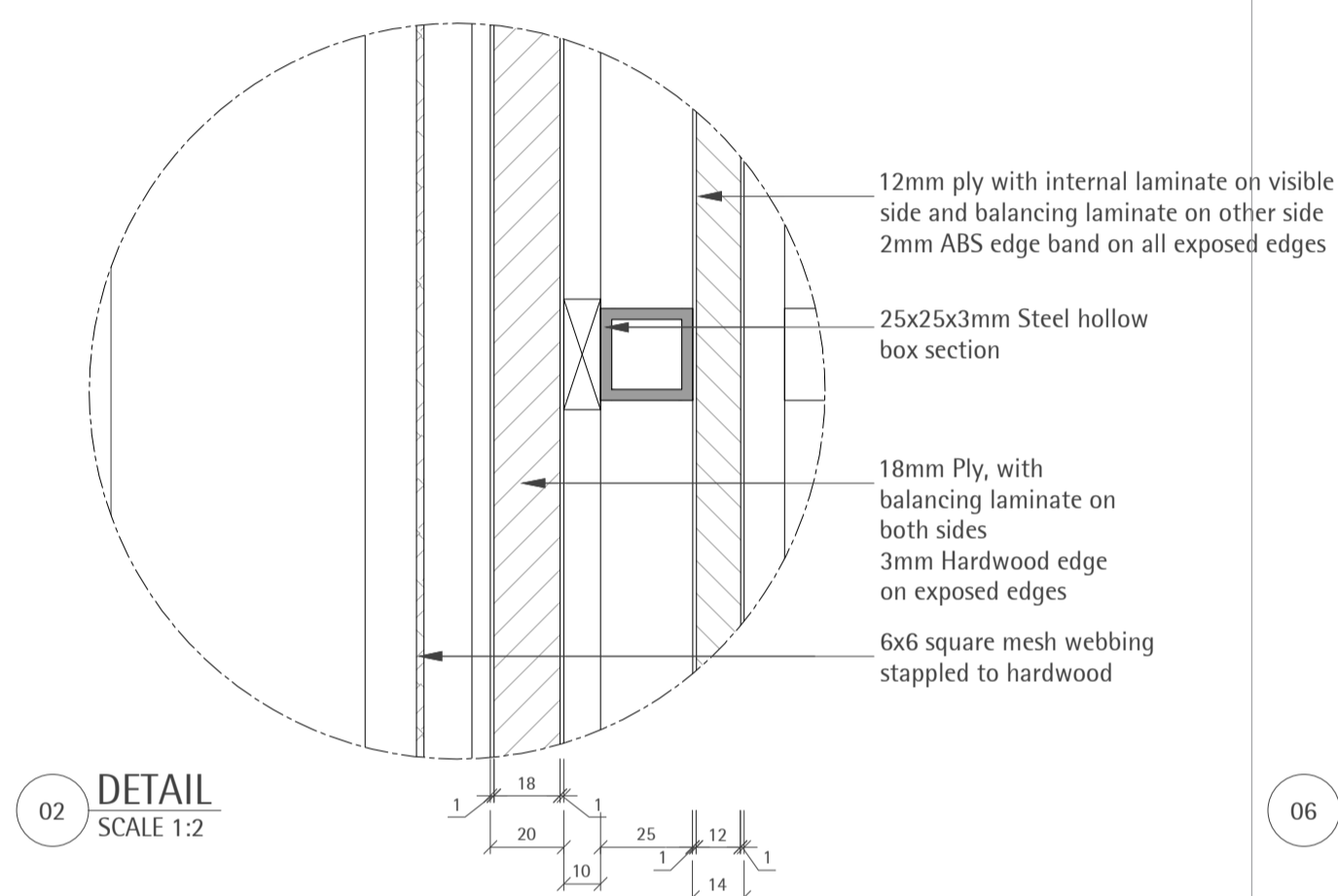
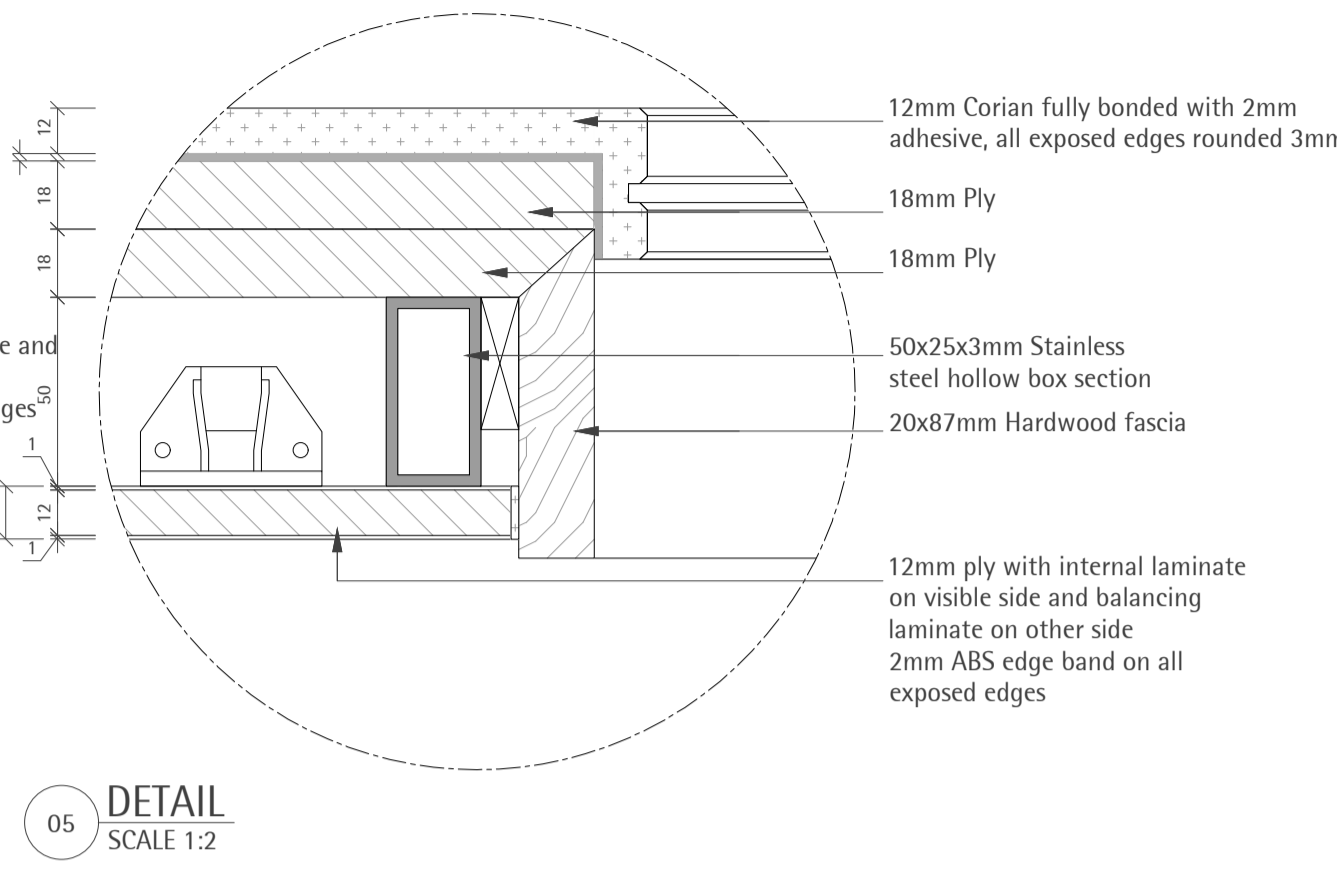
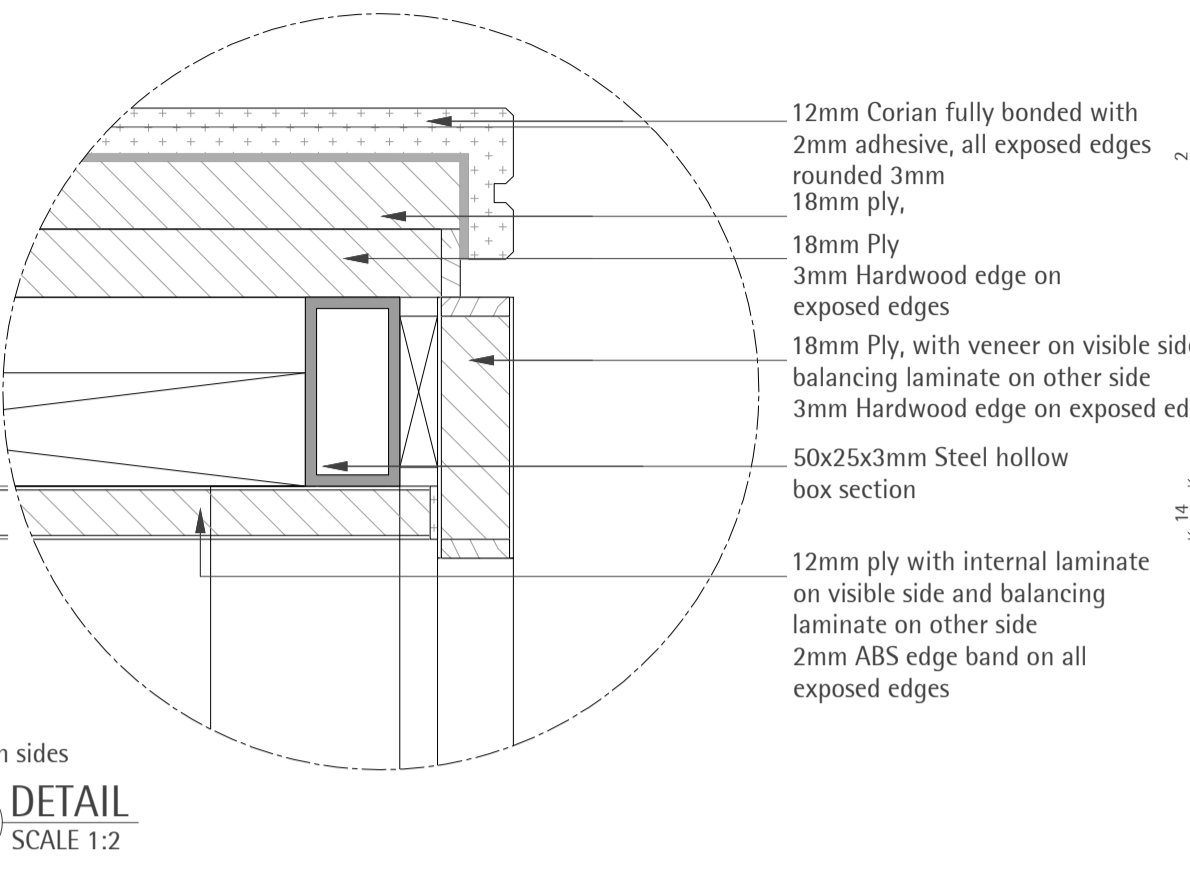
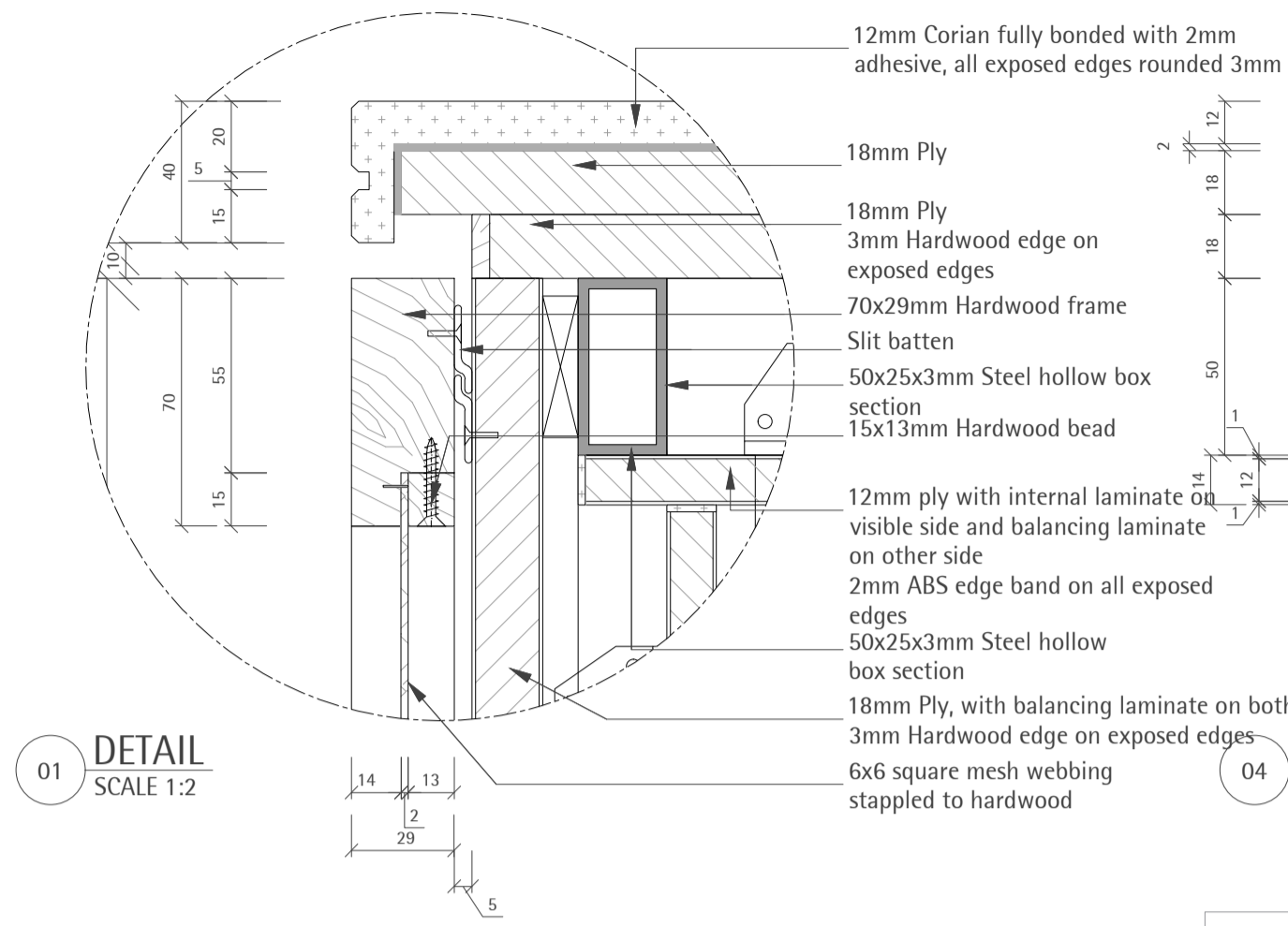
13 DETAIL
SCALE 1:2



14 DETAIL
SCALE 1:2



15 DETAIL
SCALE 1:2



All Corian to have butt joints