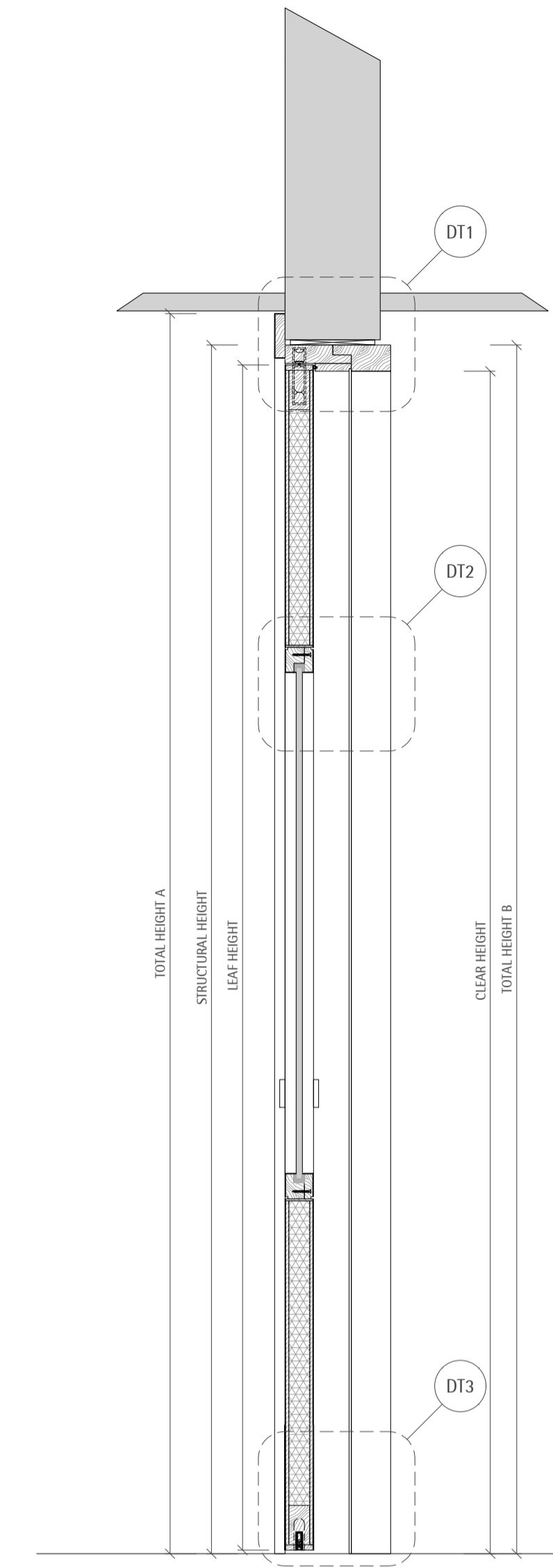
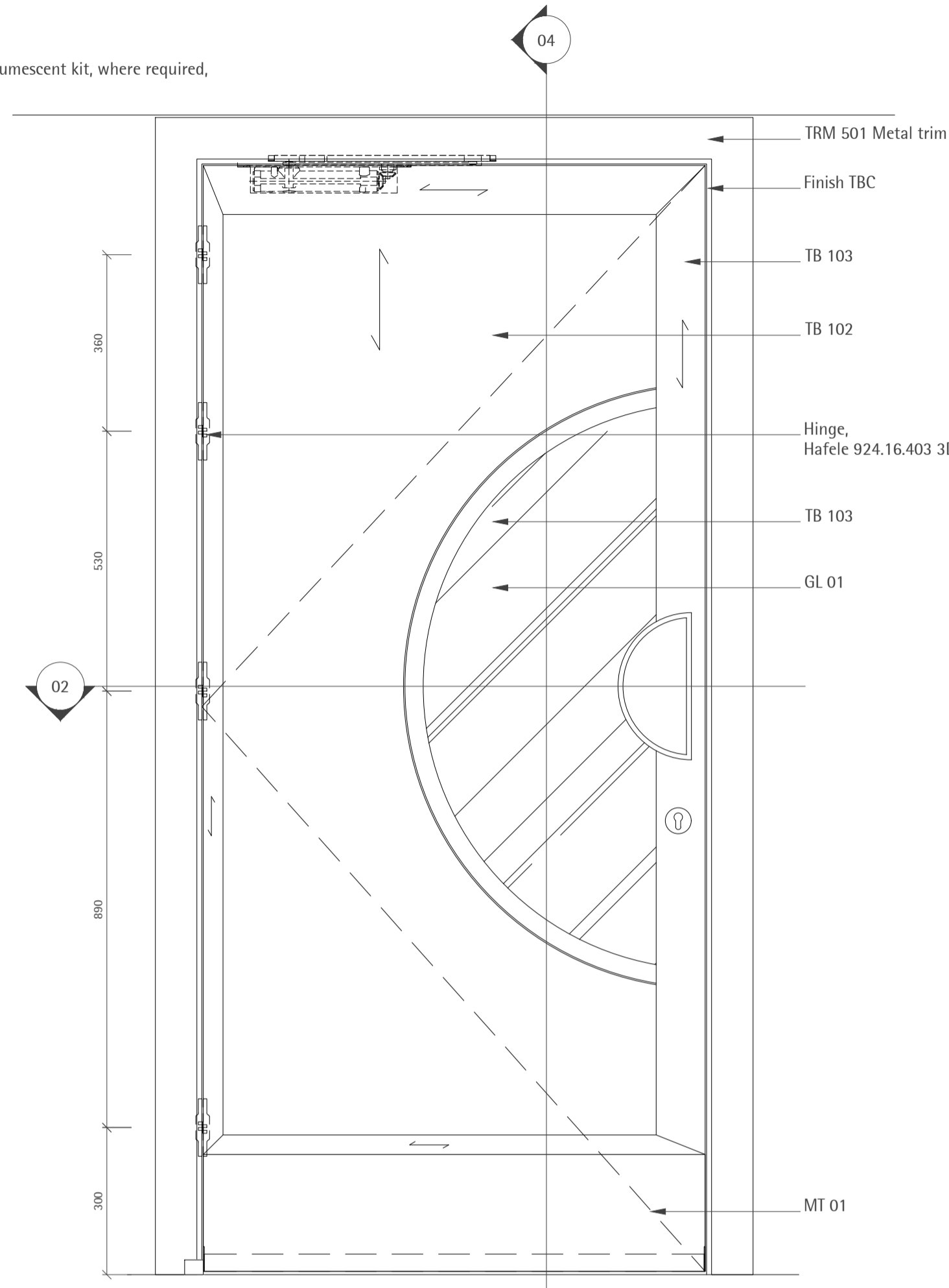
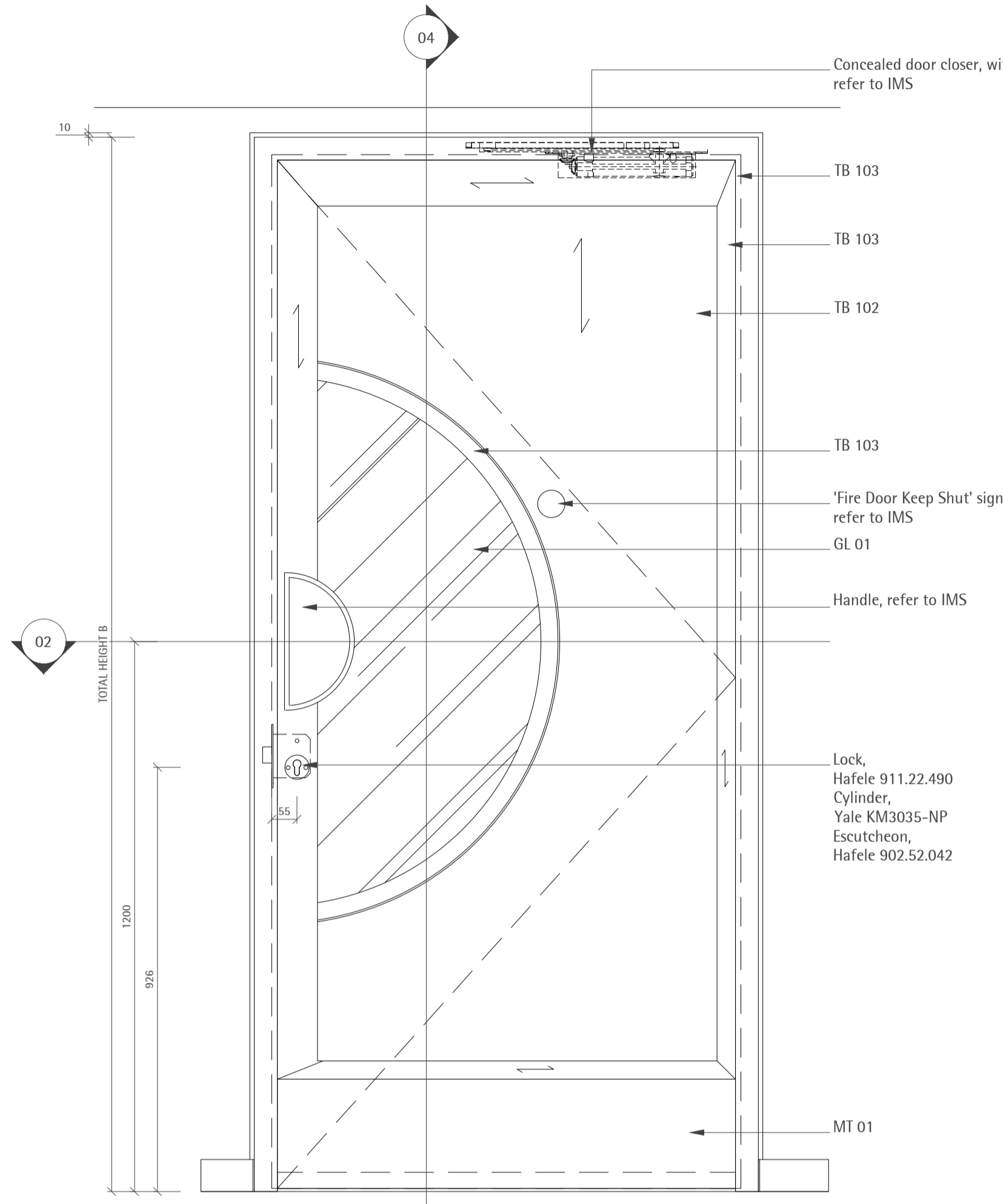
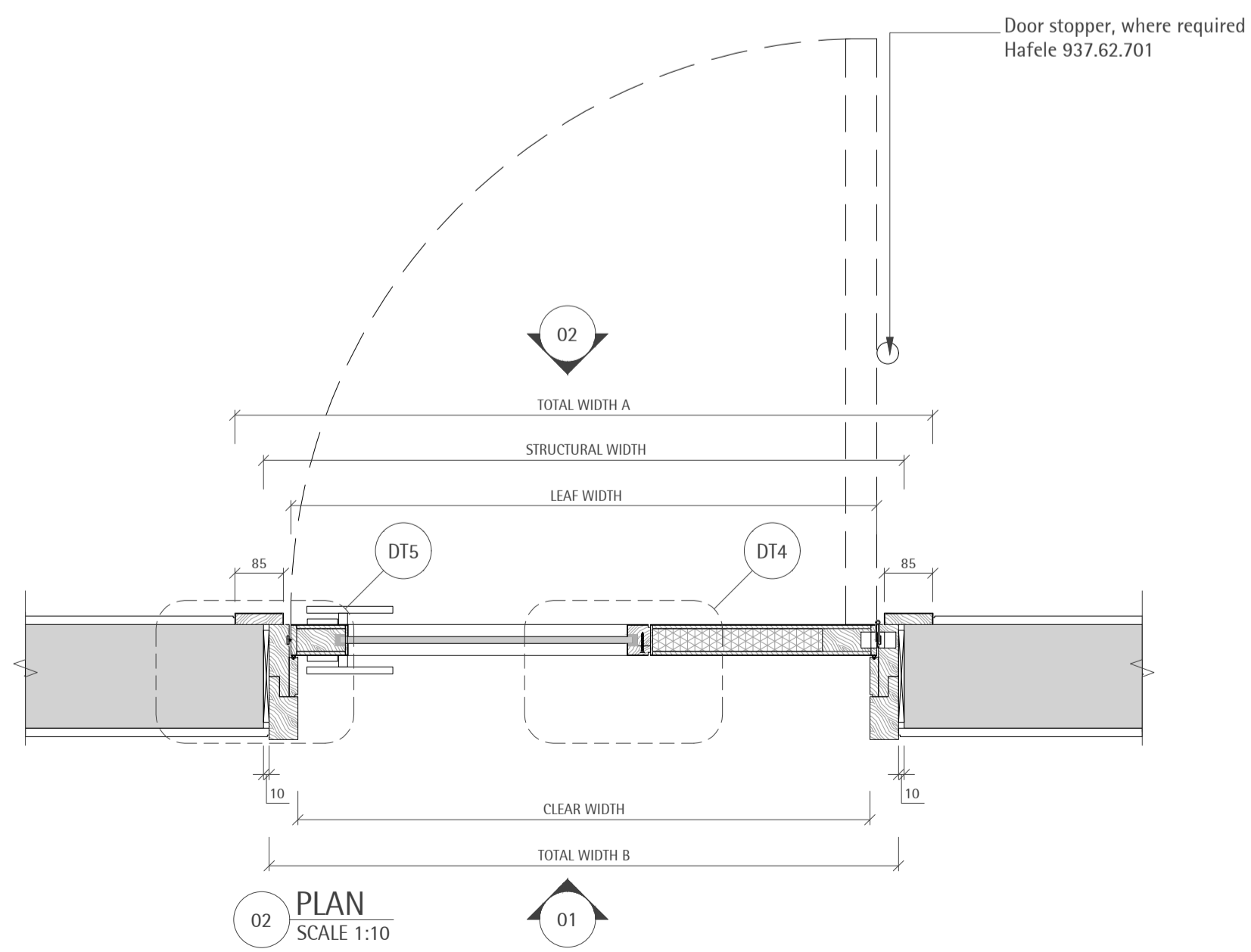


DOOR TYPE G

For fire rating see table.



Electric strike release by access control specialist.

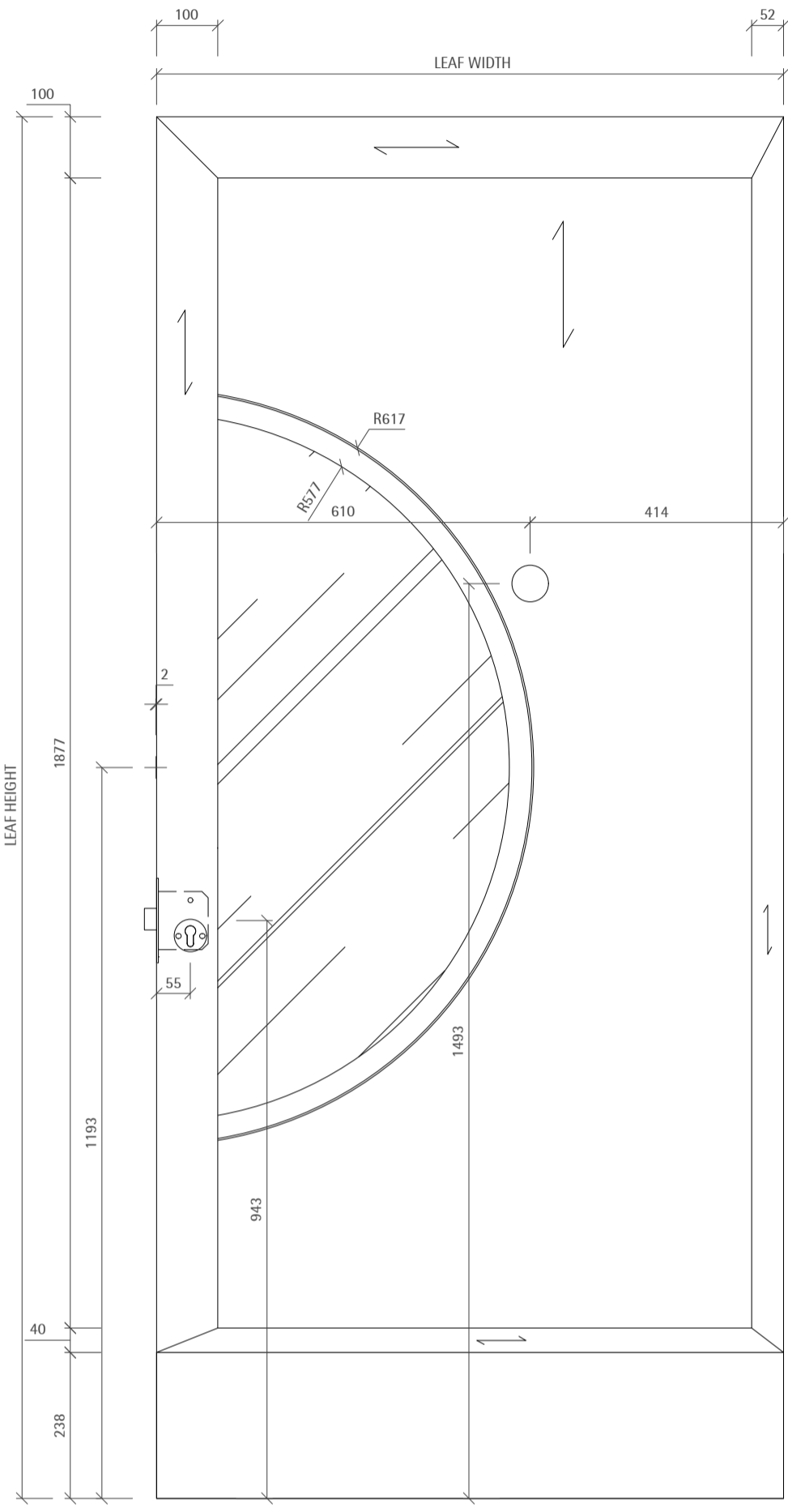


DOOR TYPE	DOOR NUMBERS	STRUCTURAL HEIGHT	STRUCTURAL WIDTH	STRUCTURAL THICKNESS	TOTAL HEIGHT A	TOTAL HEIGHT B	TOTAL WIDTH A	TOTAL WIDTH B	CLEAR HEIGHT	CLEAR WIDTH	LEAF HEIGHT	LEAF WIDTH	FIRE RATING	SOUND RATING
G	D09	2290	1100	283	2360	2300	1220	1100	2230	980	2235	1004	30 Min	-32db
	D24	2290	1100	tbc	2360	2300	1220	1100	2230	980	2235	1004	60 Min	
	D27	2290	1100	381	2360	2300	1220	1100	2230	980	2235	1004	30 Min	
	D29	2290	1100	381	2360	2300	1220	1100	2230	980	2235	1004	60 Min	
	D32	2290	1015	183	2360	2300	1220	1100	2230	895	2235	919	30 Min	
	D38	2290	1015	183	2360	2300	1220	1100	2230	895	2235	919	30 Min	

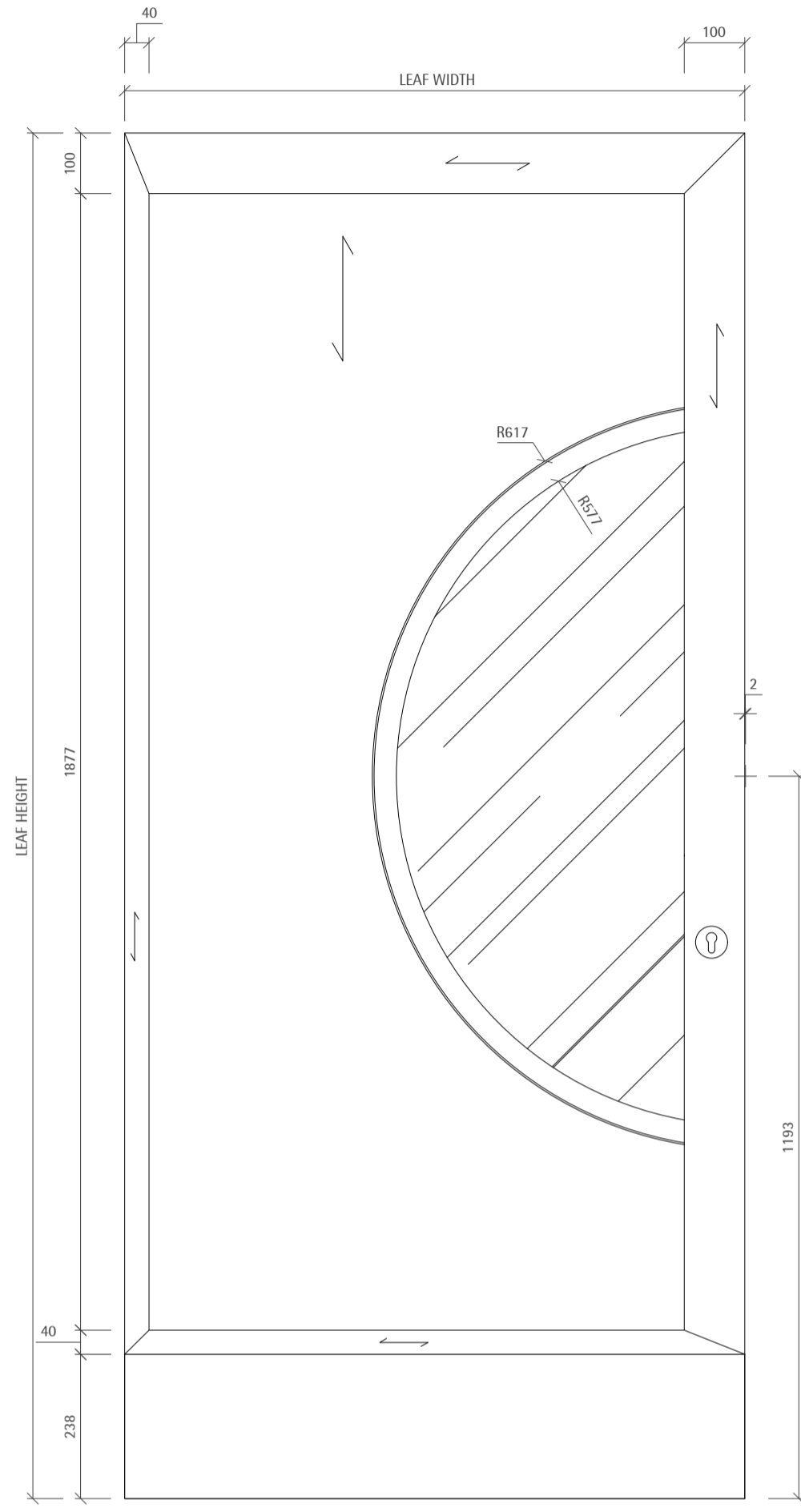
Refer to Builder's Work drawing for each door location before fabrication.

DOOR TYPE G

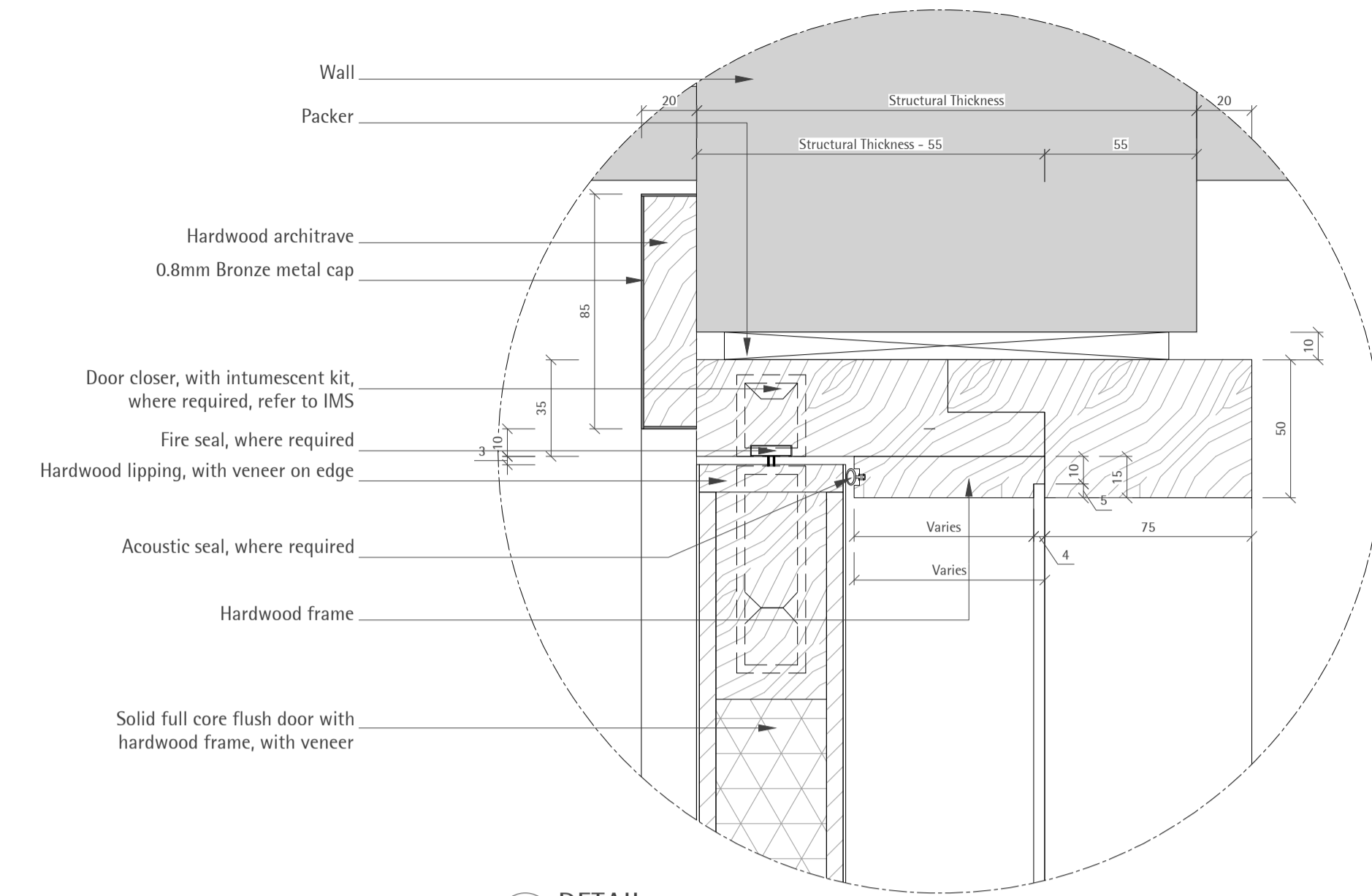
For fire rating see table.



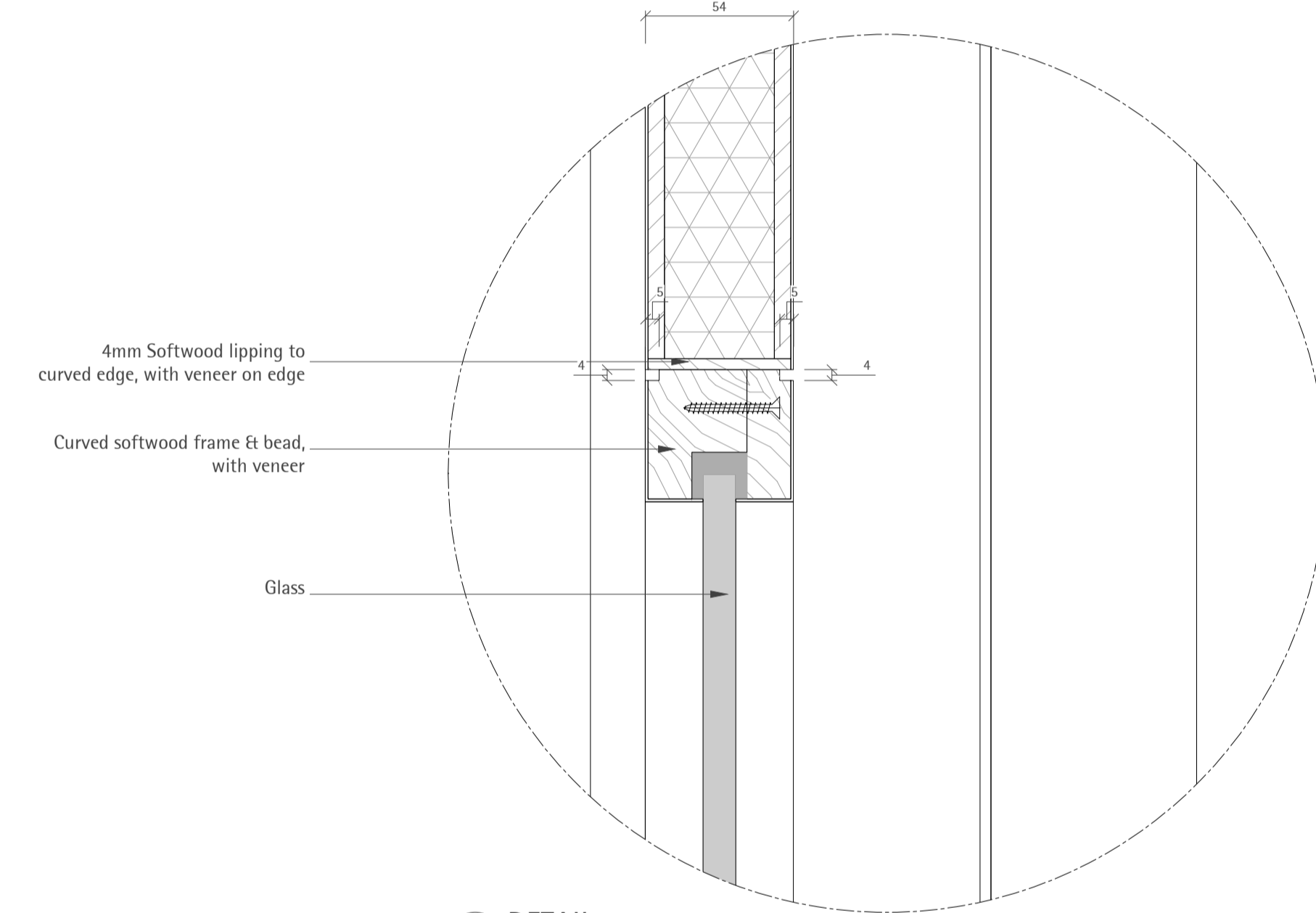
05 ELEVATION 1 OF LEAF ONLY  
SCALE 1:10



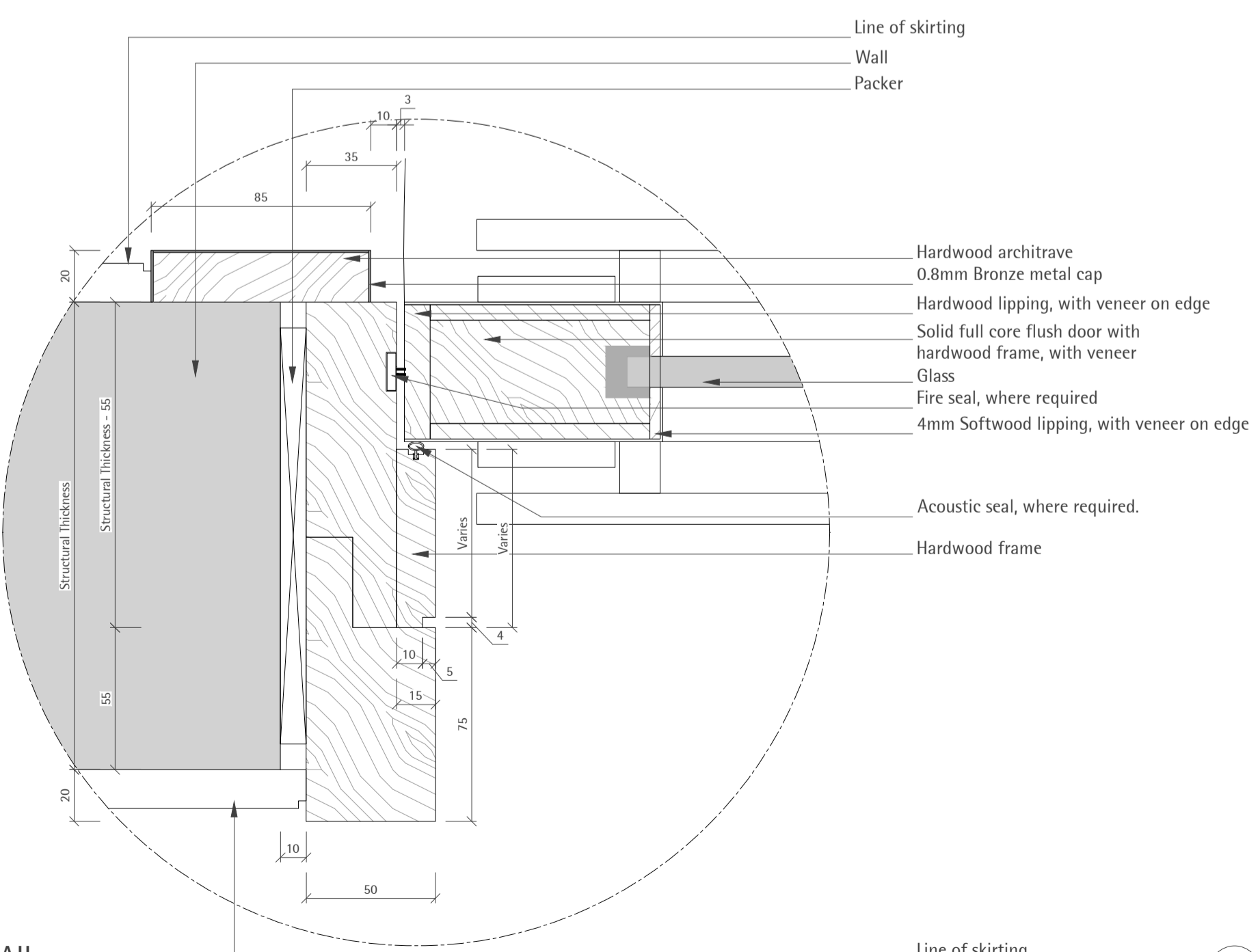
06 ELEVATION 3 OF LEAF ONLY  
SCALE 1:10



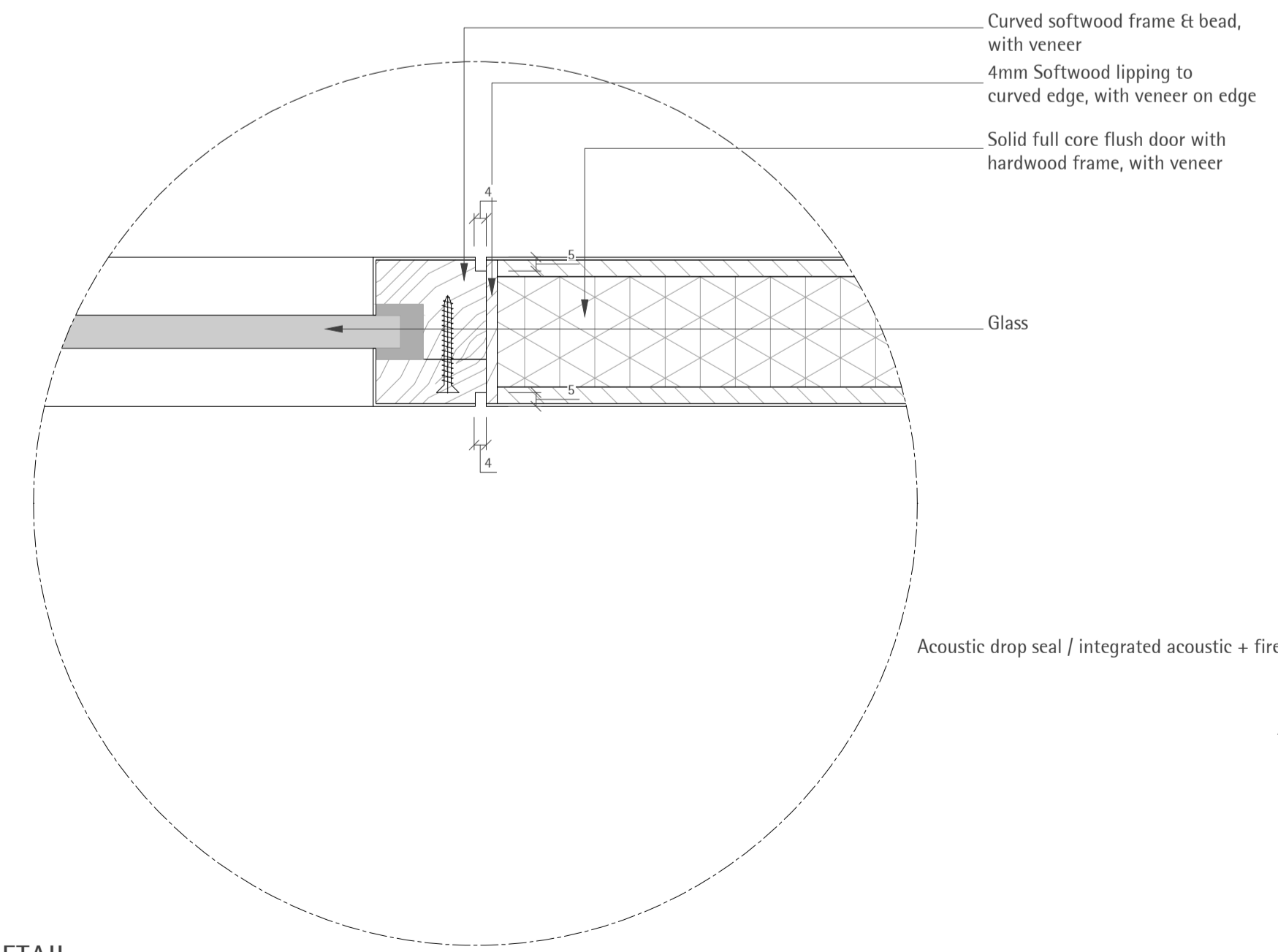
DT1 DETAIL  
SCALE 1:2



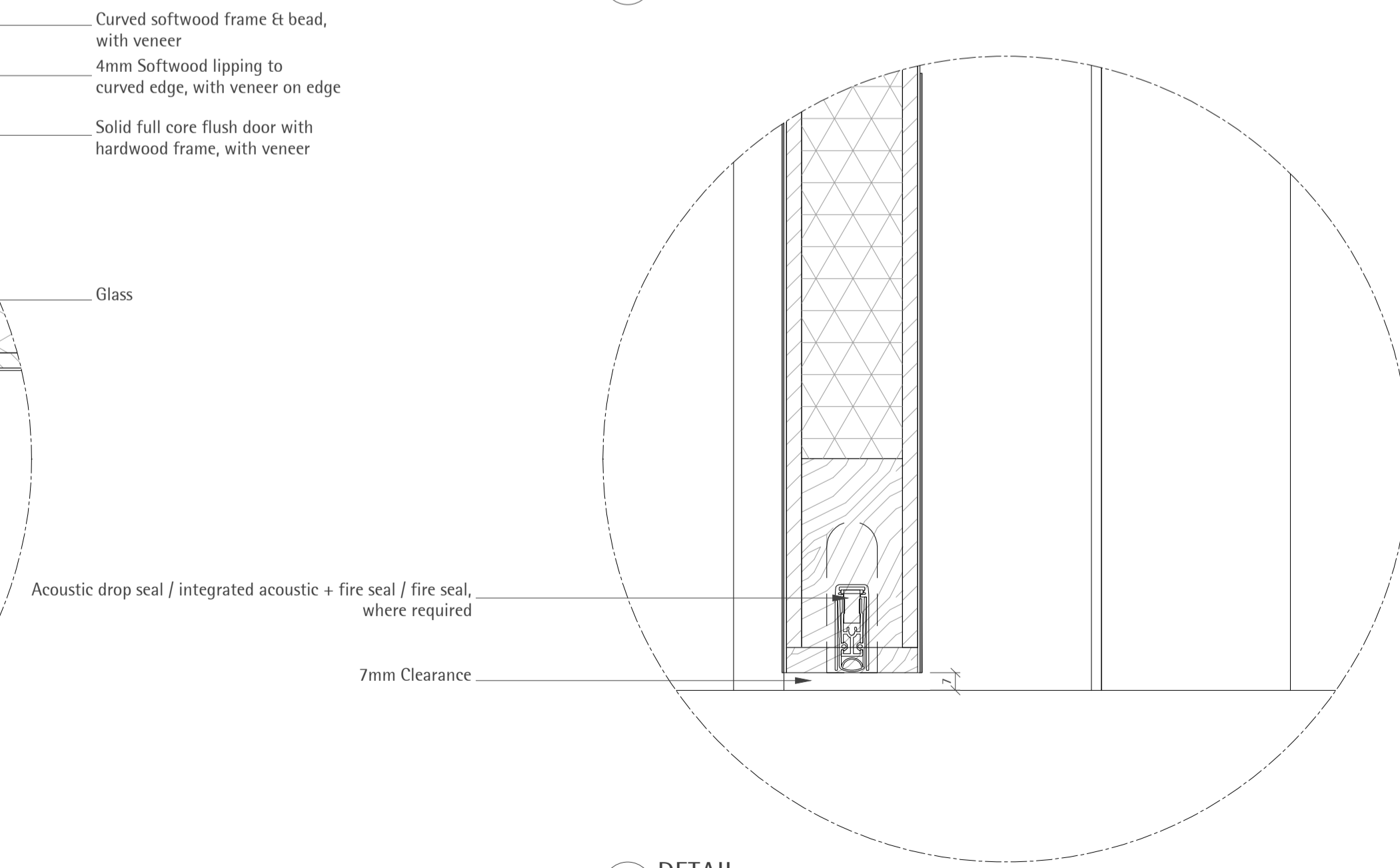
DT2 DETAIL  
SCALE 1:2



DT5 DETAIL  
SCALE 1:2



DT4 DETAIL  
SCALE 1:2



DT3 DETAIL  
SCALE 1:2