

COMPONENT SPECIFICATION

CARCASE
20MM LAMINATED MDF WITH (LM-02) BOTH SIDES.
ALL EXPOSED EDGES TO HAVE 2MM EDGE BAND TO MATCH LAMINATE.

CENTRAL CARCASE
19MM LAMINATED MDF WITH (LM-02) ON TOP, FRONT AND REAR.
18MM UN-LAMINATED MDF ON REAR AND SIDES.

DRAWER
18MM MDF SPRAY PAINTED (PT-01).
ALL USER EXPOSED EDGES TO HAVE 5MM HARDWOOD LIPPING.

DRAWER FASCIA
18MM MDF SPRAY PAINTED (PT-01).
ALL EDGES TO HAVE 5MM HARDWOOD LIPPING.

FIXING PLATE
2MM THICK MS PLATE SPRAY PAINTED (PT-01).
<https://www.metalsku.co.uk/mild-steel/c6/sheet/c2240/sheets/5/2mm-thick/p2500>

TABLE STAND
30X30X2.5 MS HOLLOW BOX SECTION SPRAY PAINTED (PT-02).
ALL JOINTS TO BE BRUSHED & POLISHED SEAMLESS.
<https://www.metalsku.co.uk/mild-steel/c6/box-section/c49/30mm-x-30mm-x-2.5mm/p2298>

HARDWARE SPECIFICATION

CONCEALED RUNNER
HAFELE 433.10.530 & 433.10.545
<https://www.hafele.co.uk/en/product/concealed-drawer-runners-full-extension-load-capacity-30-kg-hafele/000000400003996100020023/>

CABLE GROMMET
HAFELE 631.32.004
<https://www.hafele.co.uk/en/product/cable-outlet-80-mm-two-part/63132004/7MasterSKU=0000001d0000993d00020023>

MULBERRY CUP HANDLE
HAFELE 151.40.104.
<https://www.singhohomehardware.com/Hafele-Hardware/Mulberry/Haf15140104-ms.html?sessionid=0d6eacf0e69f7adffca00c8b002c9a.worker4>

FASTENER

TBC BASED ON GROUND PROVIDED.

JOINT CONNECTOR NUT & BOLTS

SCREWFIX JOINT CONNECTOR NUTS M6 X 12MM (83501)
<https://www.screwfix.com/p/joint-connector-nuts-m6-x-12mm-50-pack/83501>
SCREWFIX JOINT CONNECTOR BOLTS B2P M6 X 30MM (61843)
<https://www.screwfix.com/p/joint-connector-bolts-b2p-m6-x-30mm-50-pack/61843>

TABLE LEVELER

HAFELE 651.08.301
<https://www.hafele.co.uk/en/product/cable-outlet-80-mm-two-part/>

LIGHT SPECIFICATION

LIGHT
LED Profile Light 12 V,(833.72.080)
<https://www.hafele.co.uk/en/product/led-profile-light-12-v-length-250-mm-width-50-mm-rated-ip20-look-led-2036/83372080/>

FINISHES SPECIFICATION

PT-01 - DULUX, 68YR 28/701, ORANGE, 90% SHEEN.
PT-02 - SPRAY PAINTED TO MATCH LM-01, 90% SHEEN
LM-01 - EGGER U741 S79 LAVA MFC

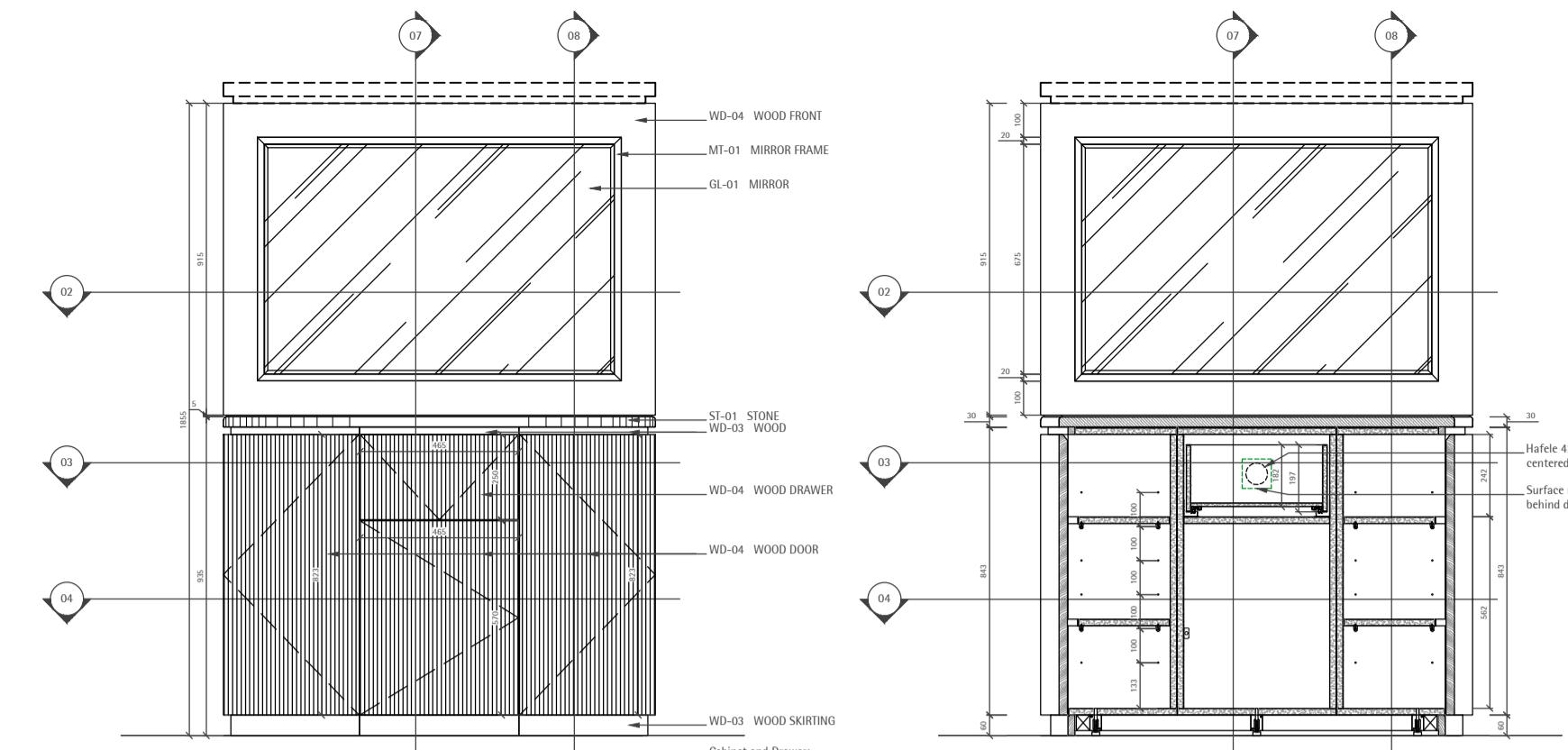


EXPLODED 3D



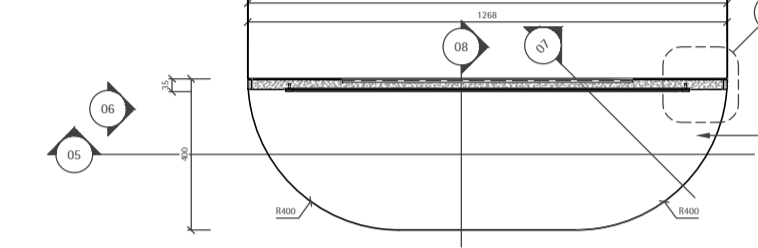
ASSEMBLED 3D

ASSEMBLY ANIMATION
<https://youtu.be/6m8vlpHw-k4?t=3>

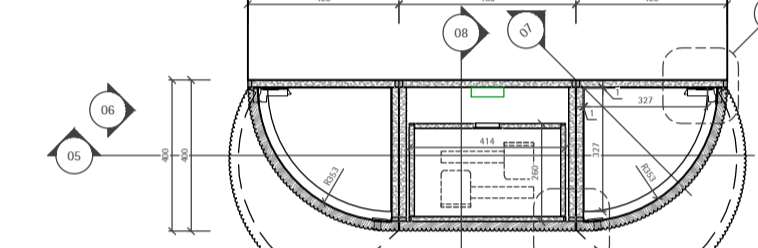


01 FRONT ELEVATION SCALE 1:10

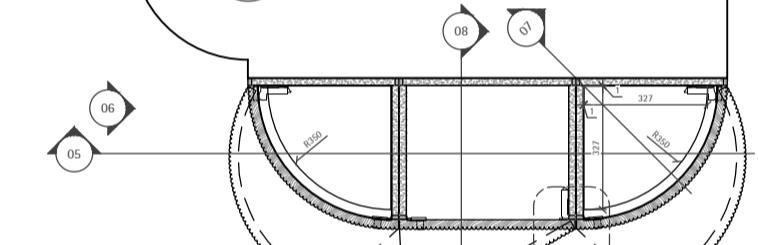
05 SECTIONAL ELEVATION SCALE 1:10



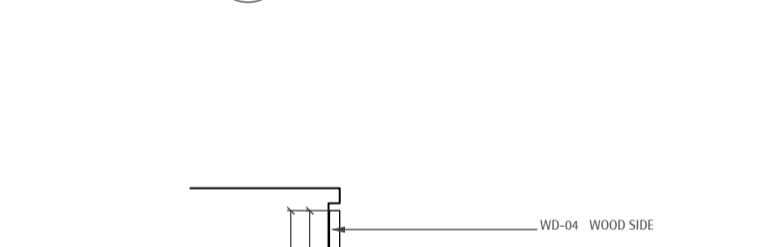
02 PLAN SCALE 1:10



03 PLAN SCALE 1:10



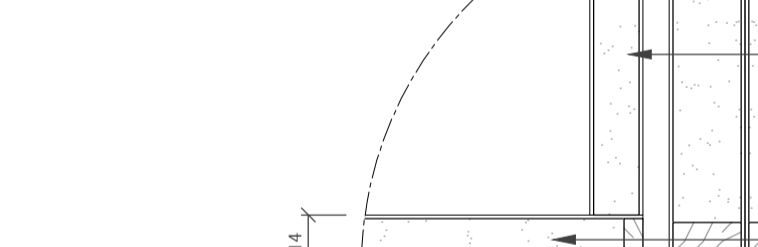
04 PLAN SCALE 1:10



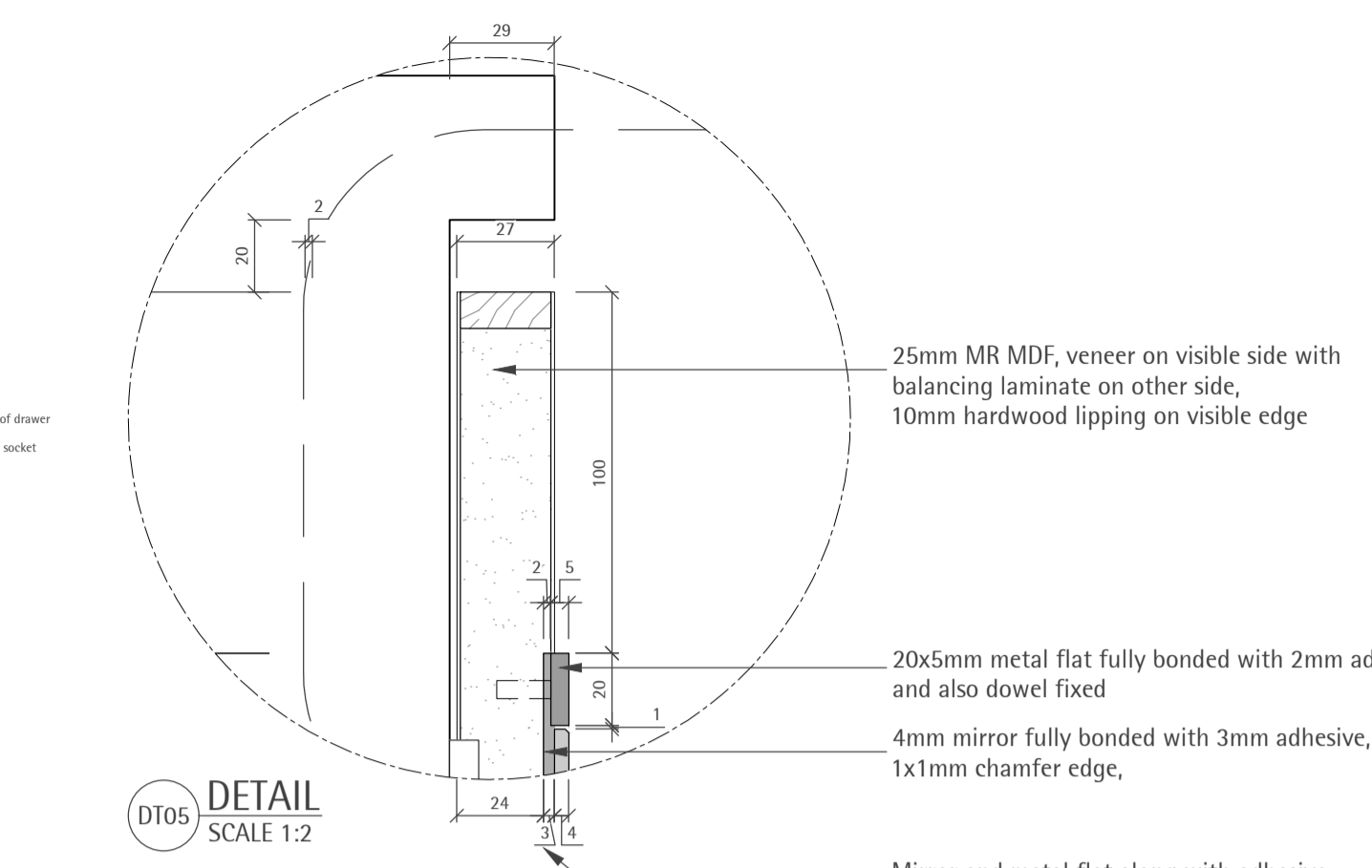
06 SECTION SCALE 1:10



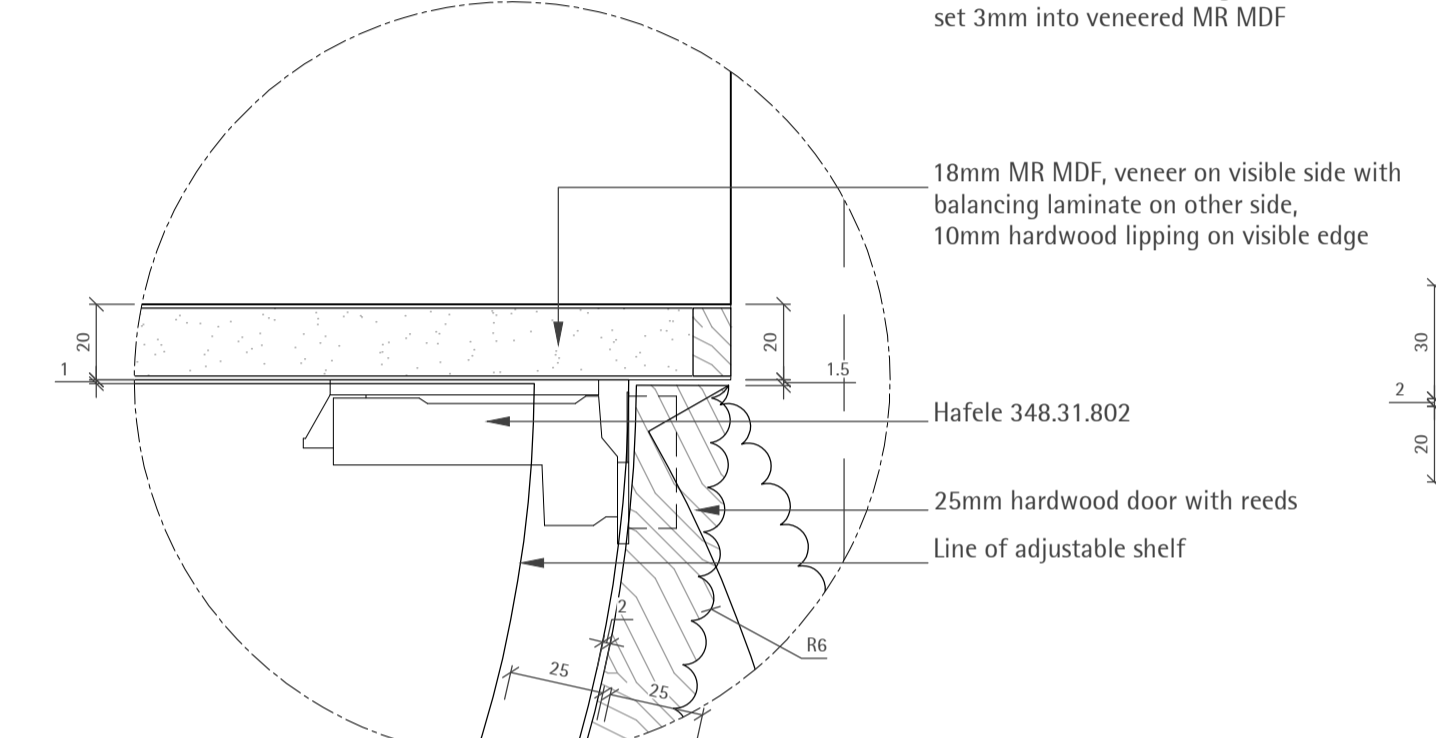
07 SECTION SCALE 1:10



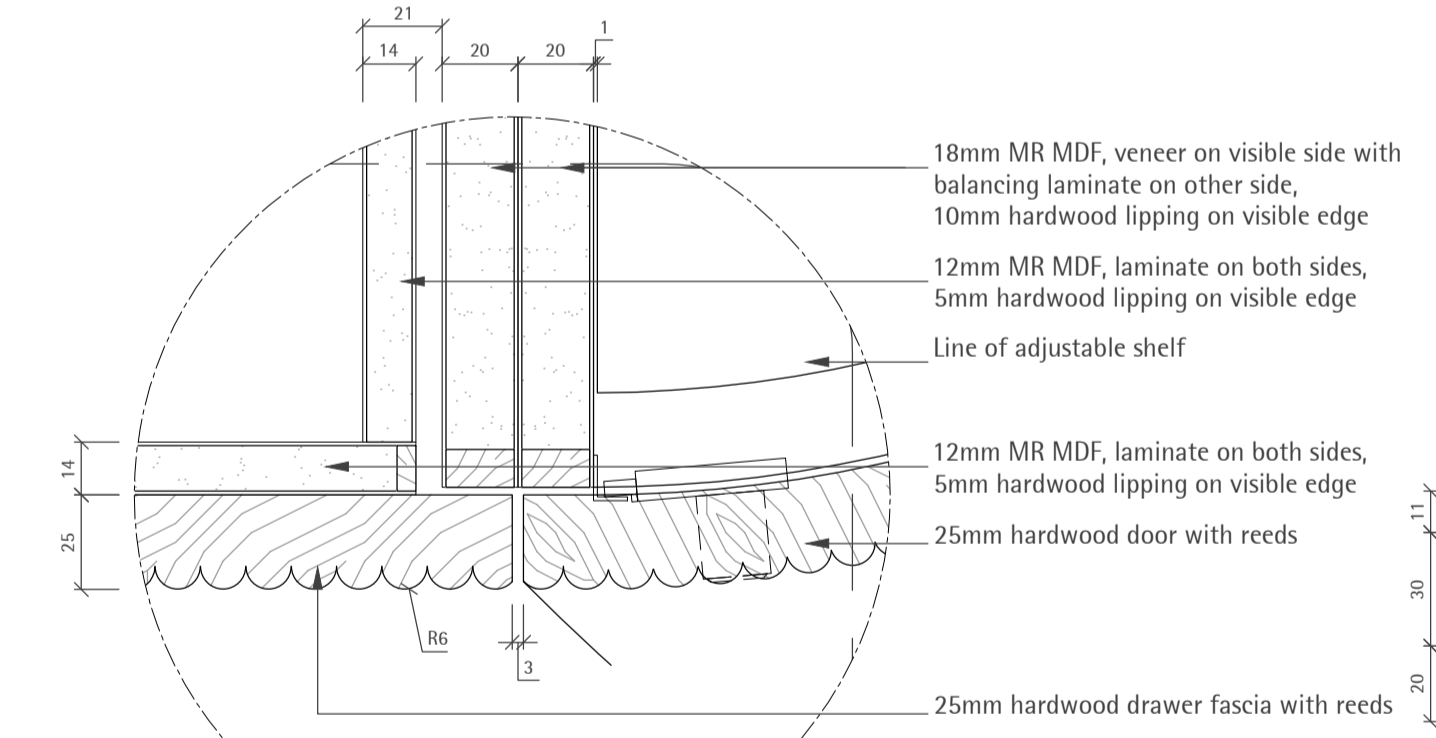
08 SECTION SCALE 1:10



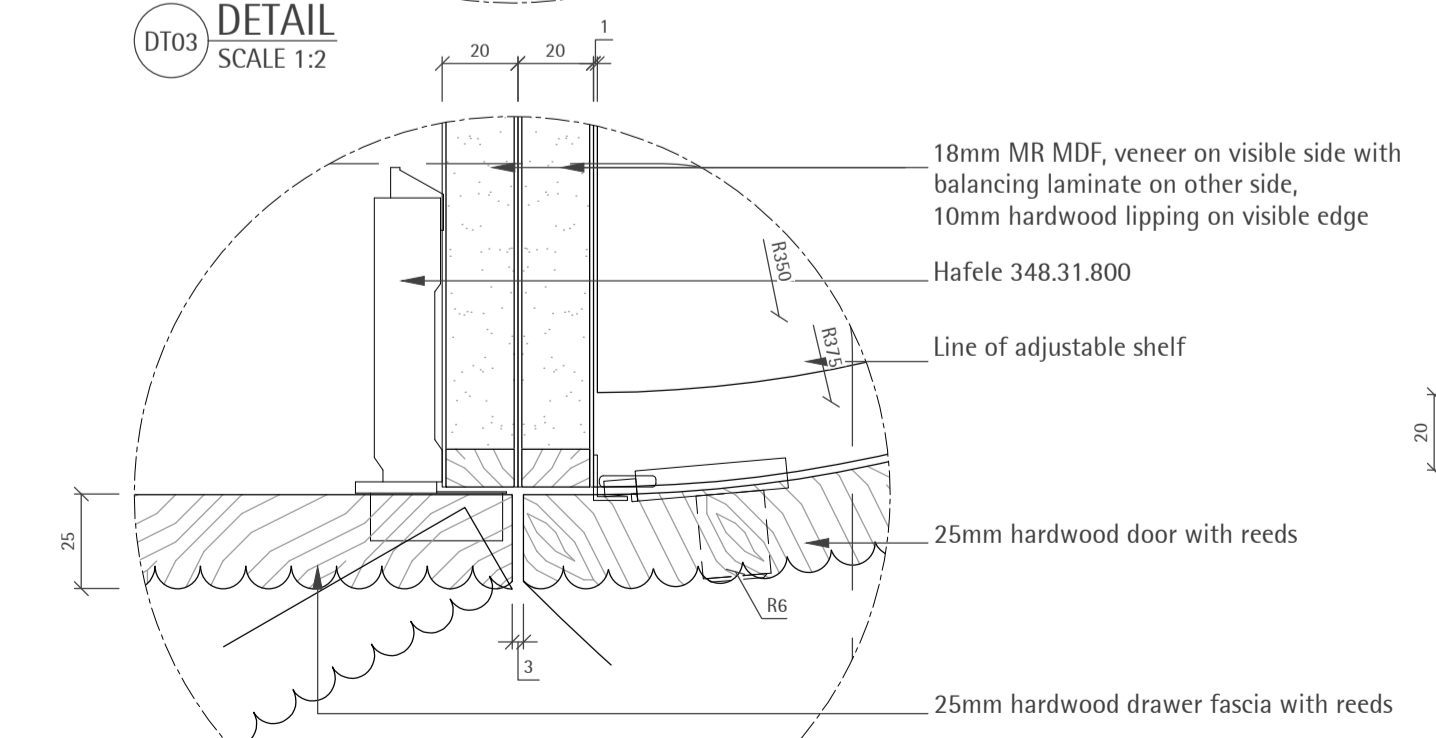
DT05 DETAIL SCALE 1:2



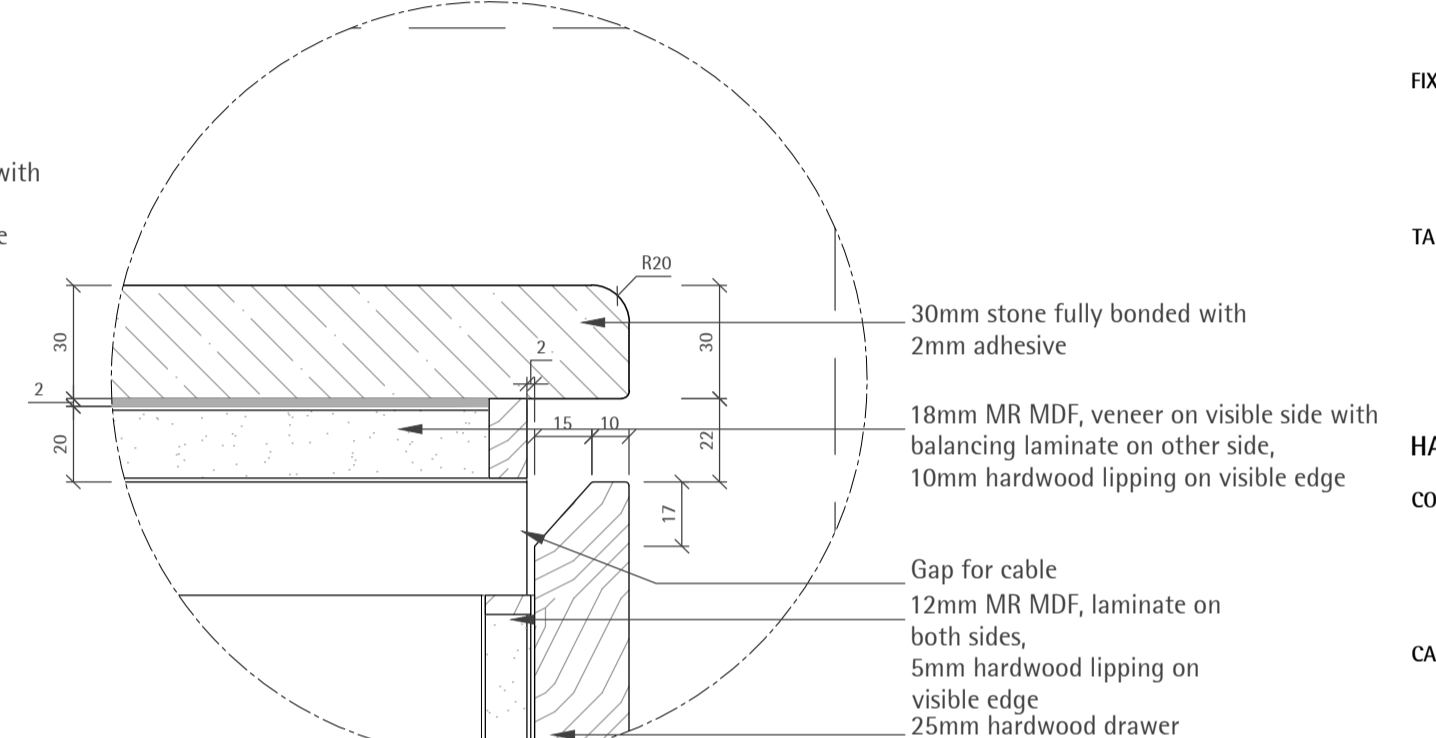
DT02 DETAIL SCALE 1:2



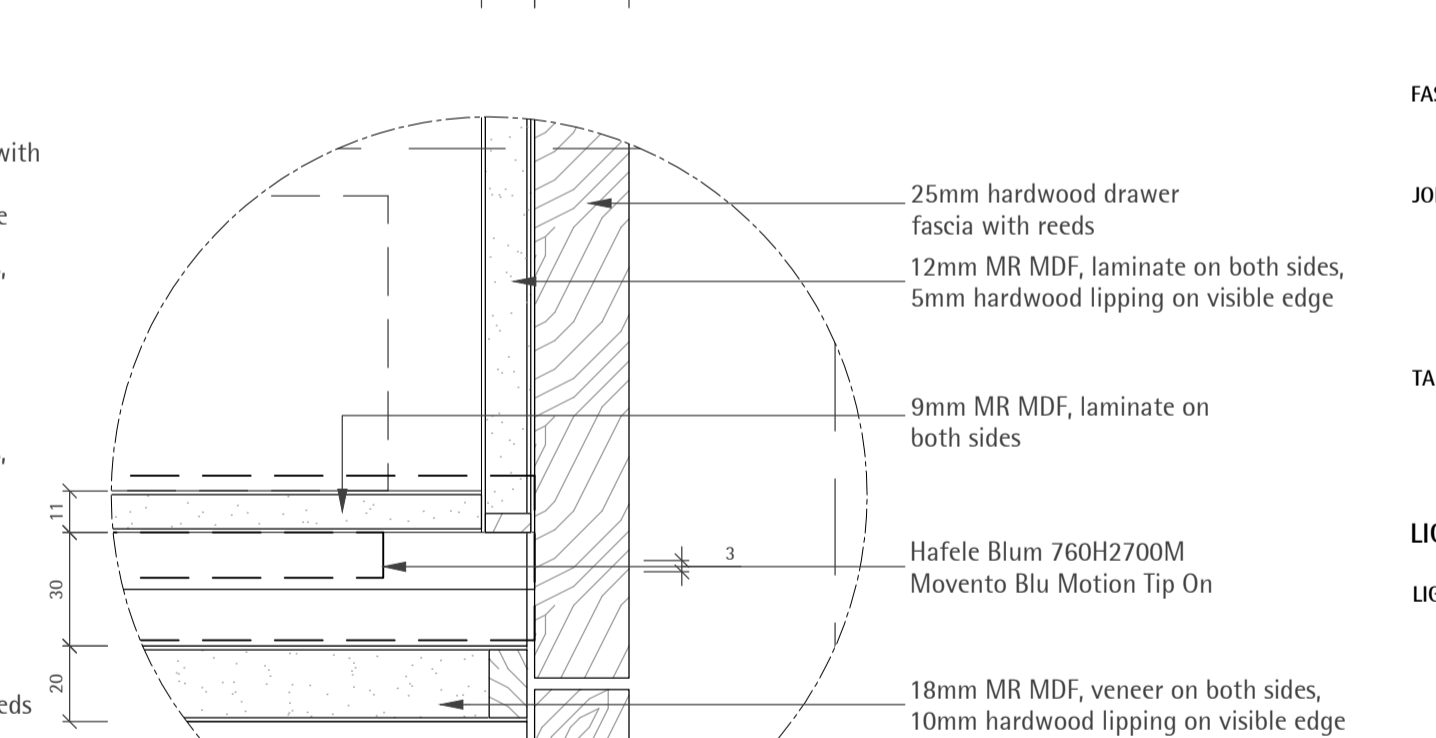
DT03 DETAIL SCALE 1:2



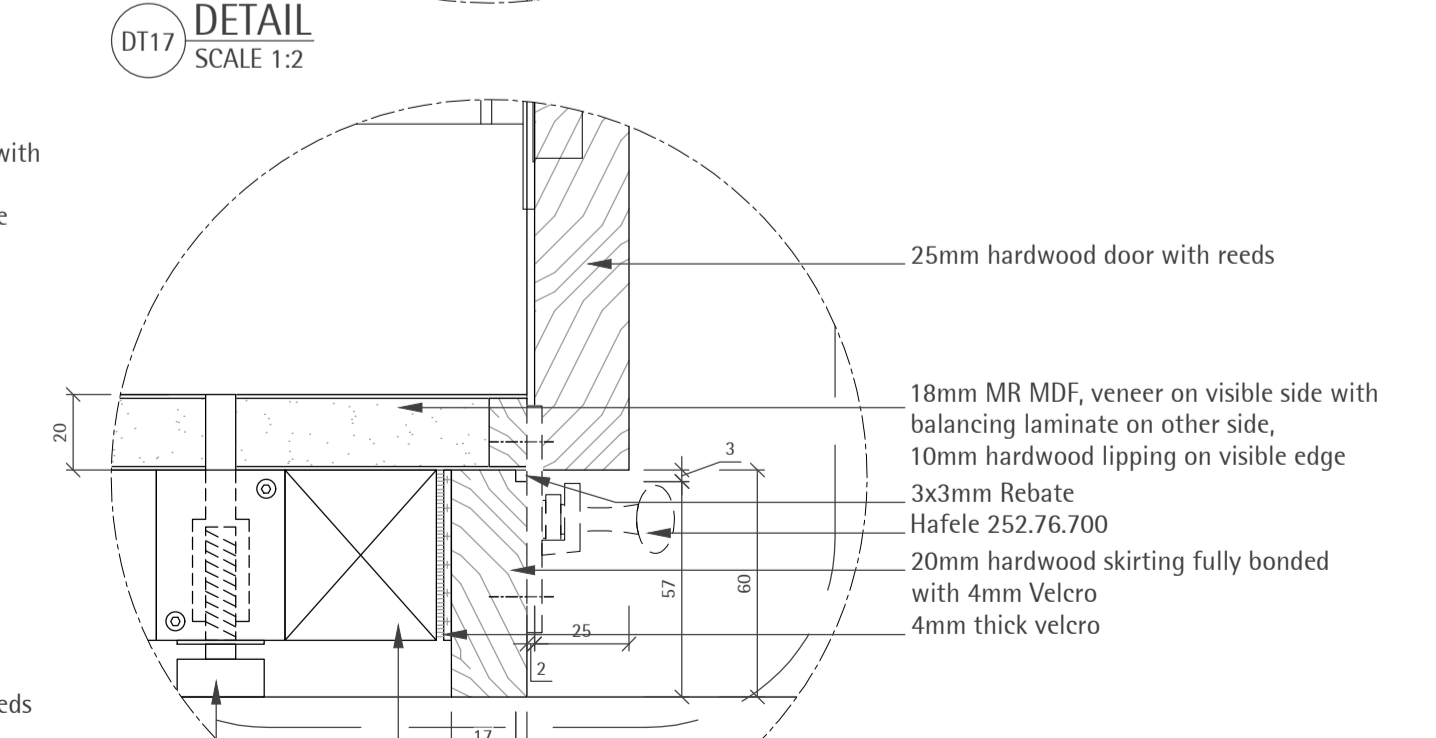
DT04 DETAIL SCALE 1:2



DT16 DETAIL SCALE 1:2



DT17 DETAIL SCALE 1:2



DT10 DETAIL SCALE 1:2